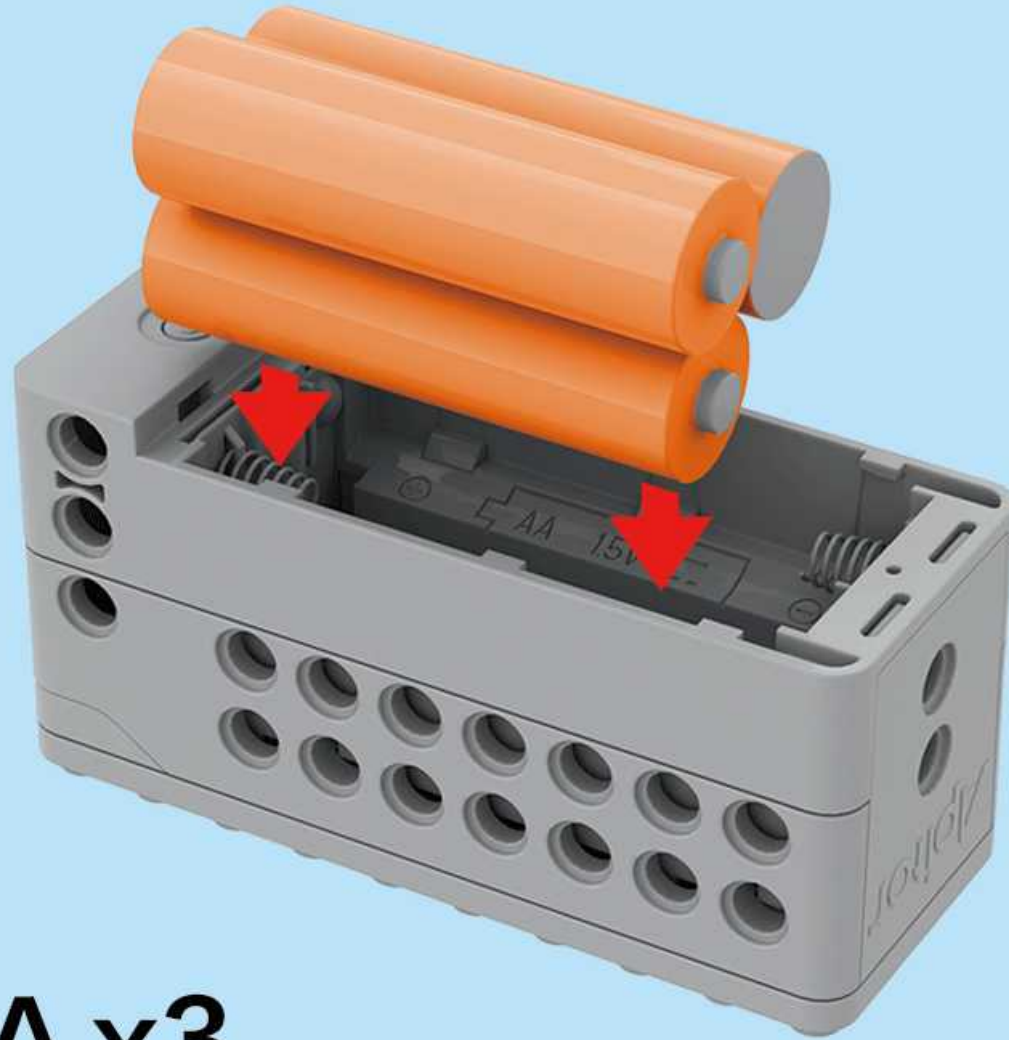
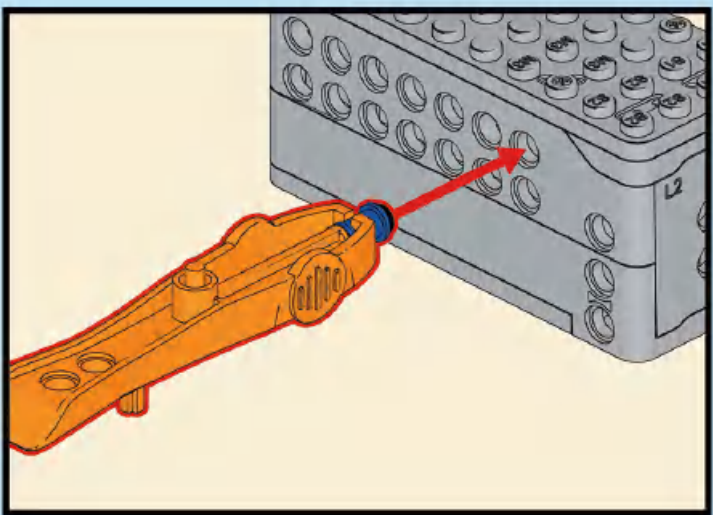
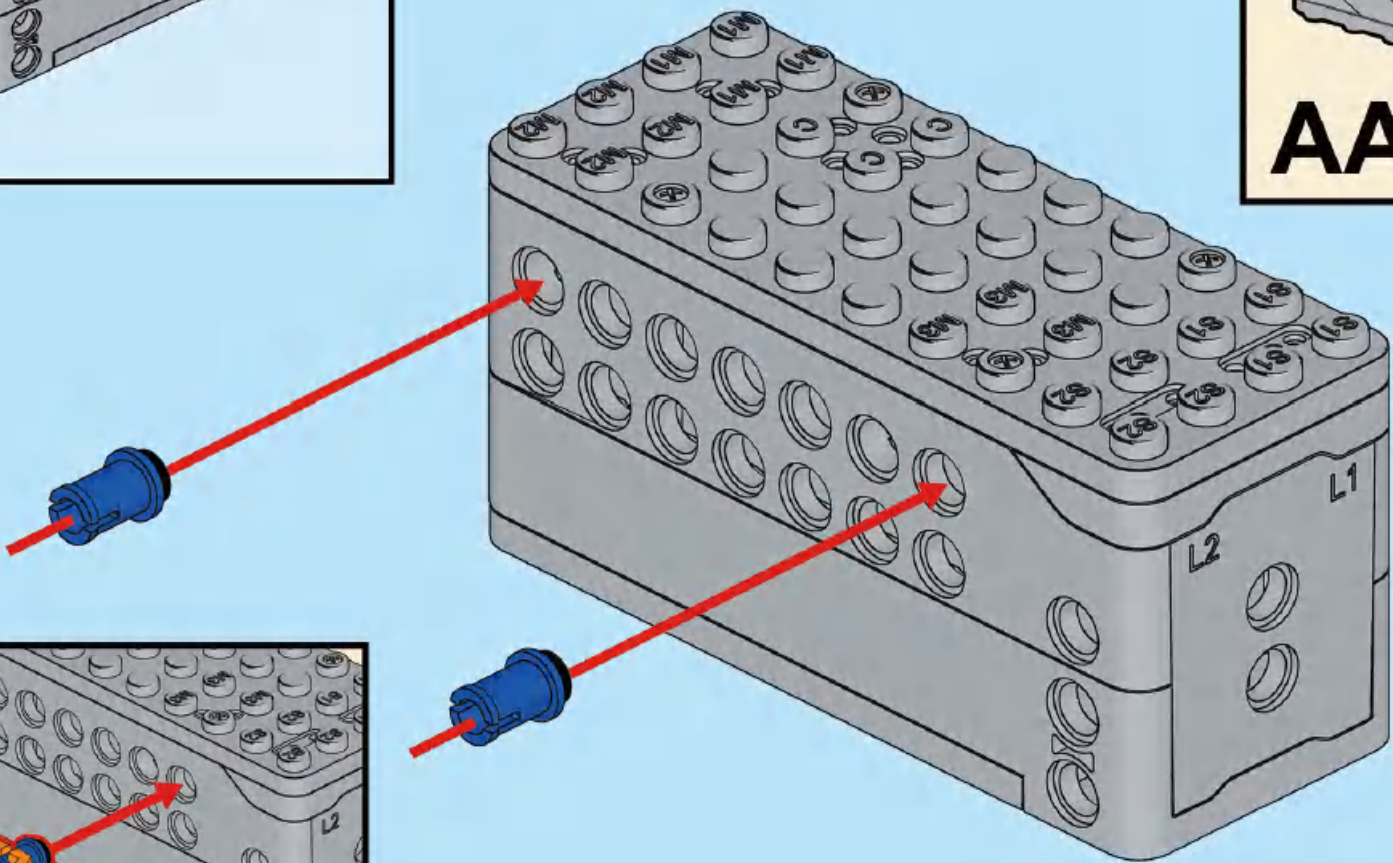
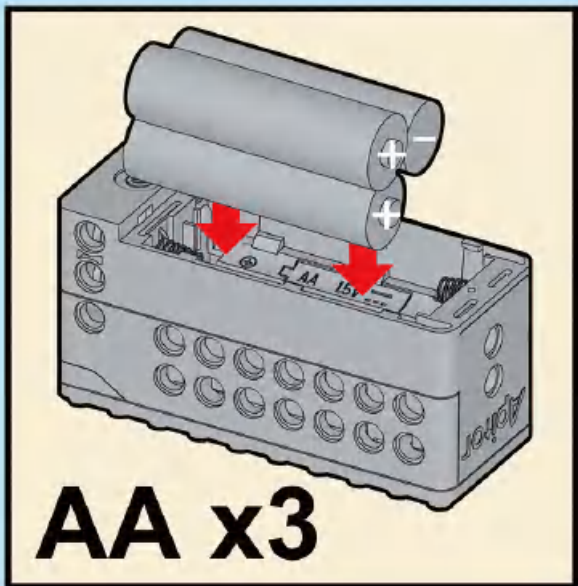
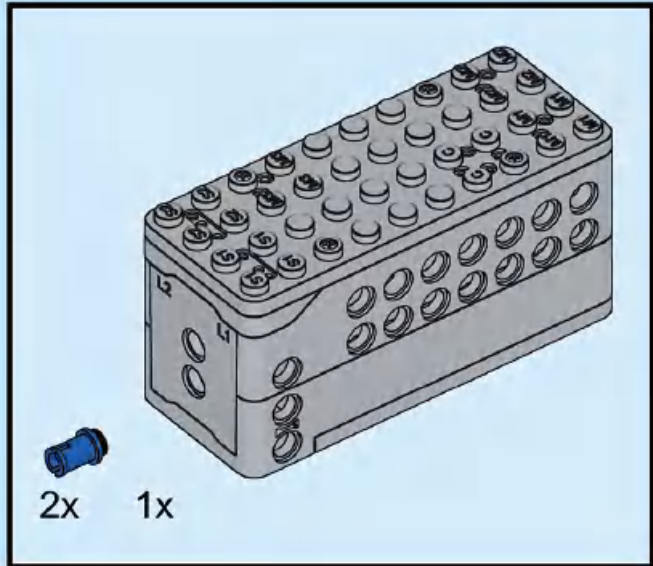


0

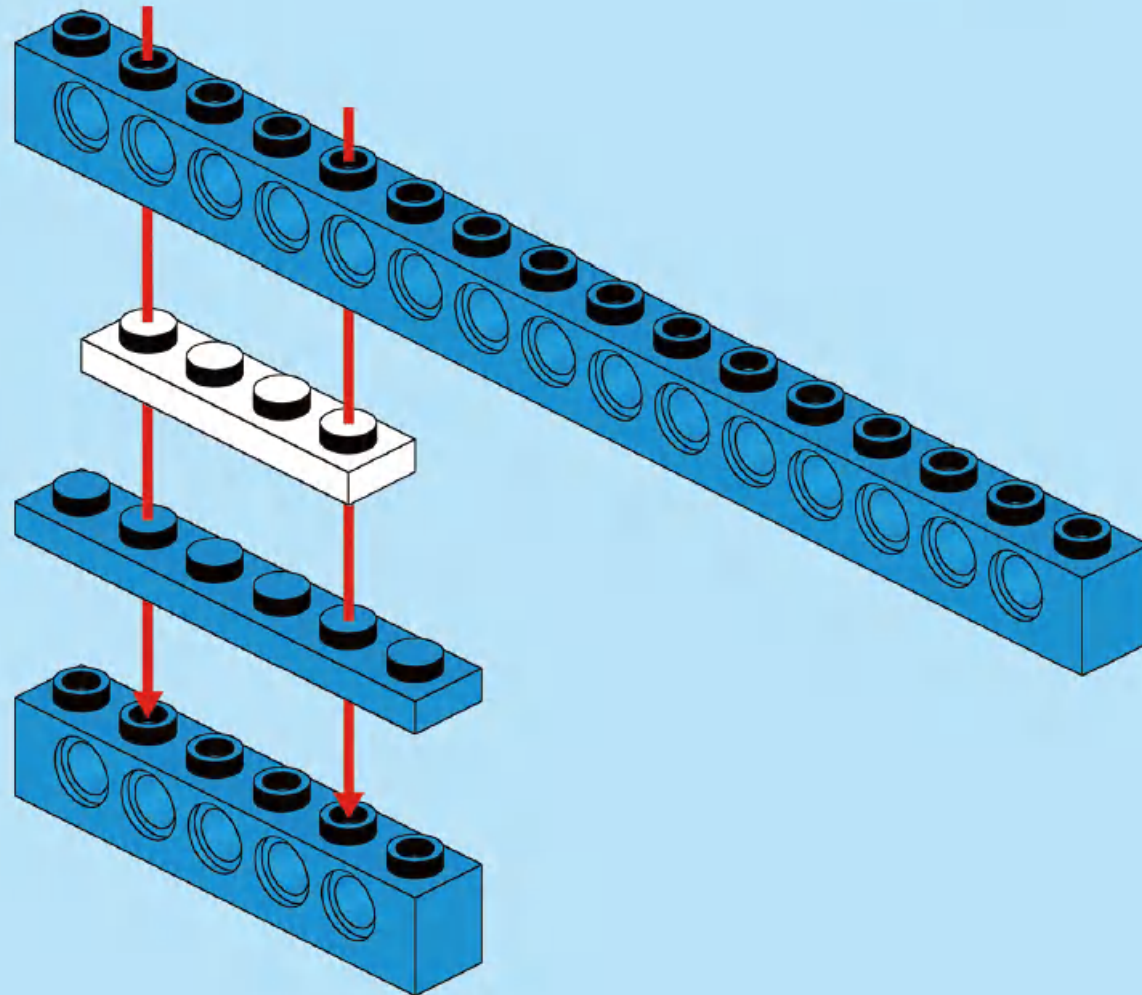
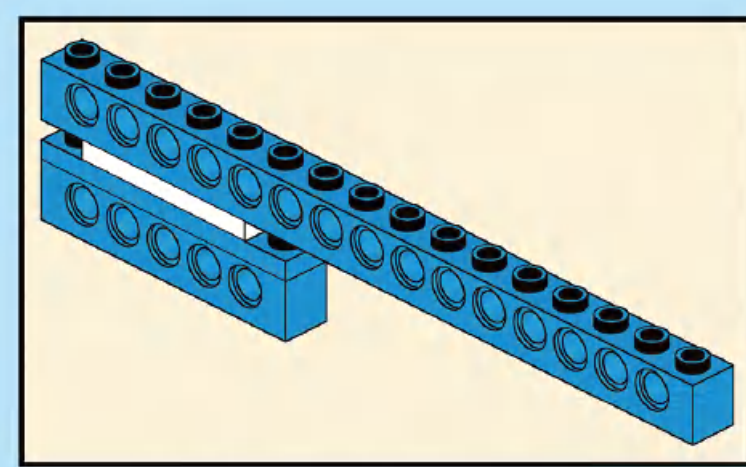
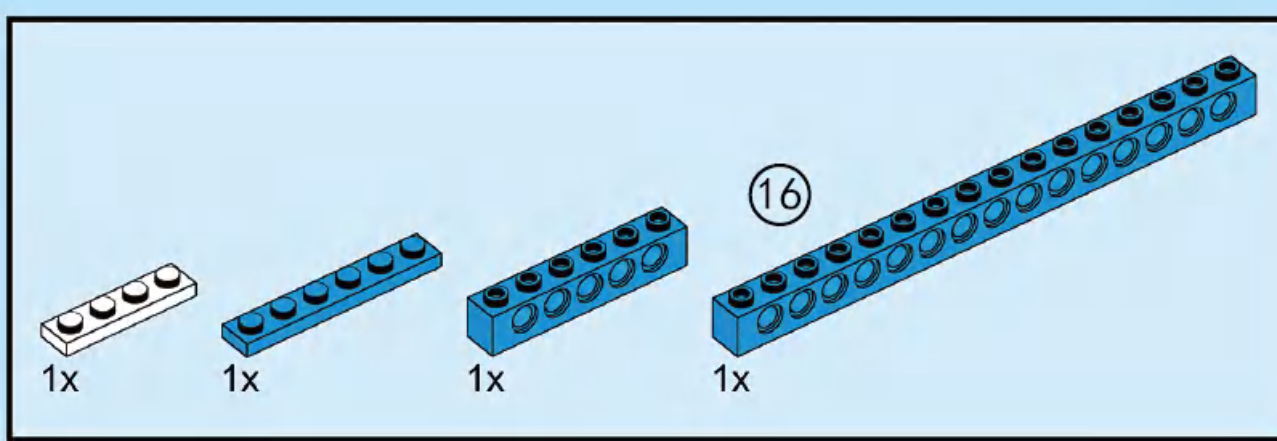


AA x3

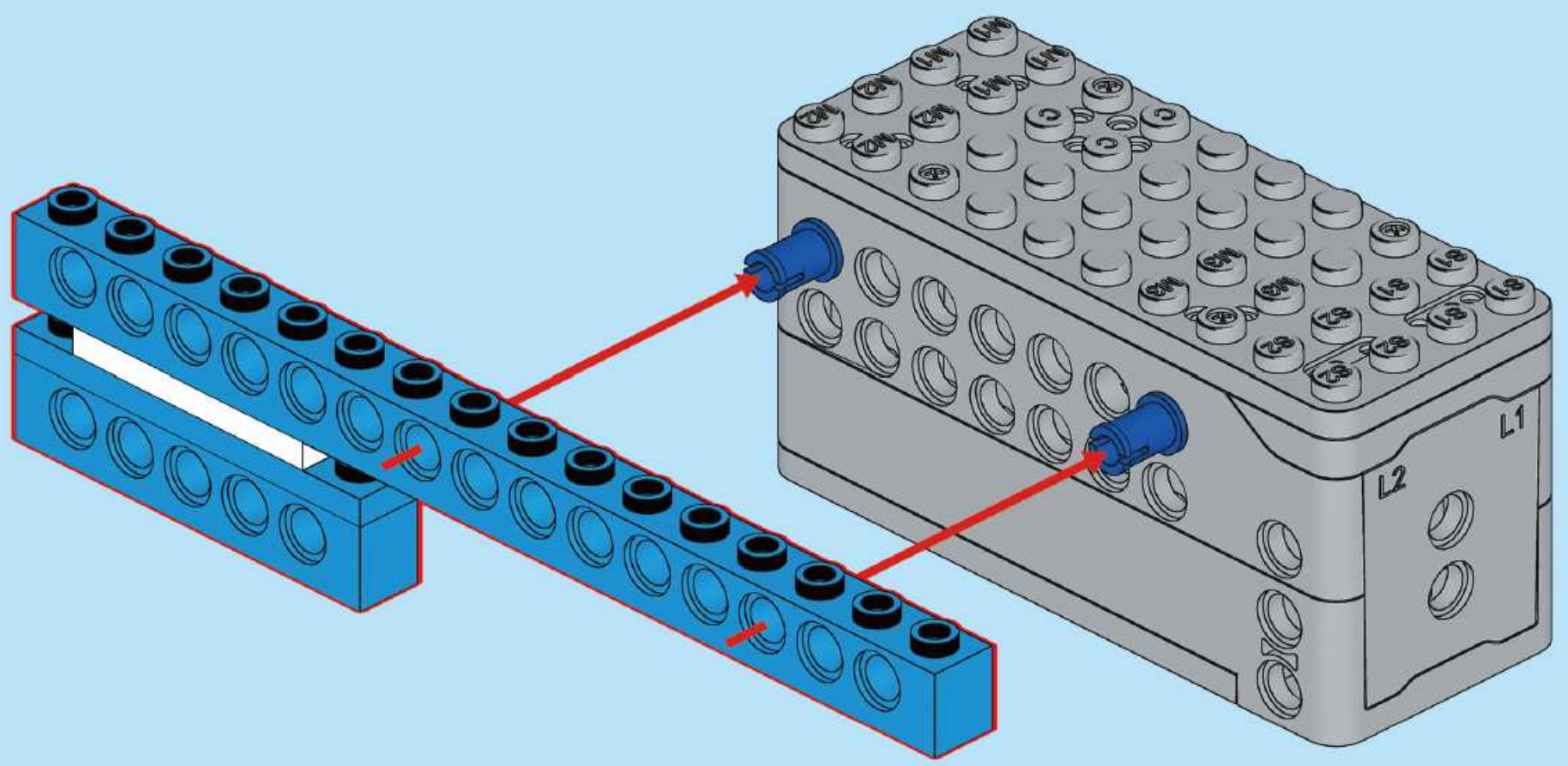
1



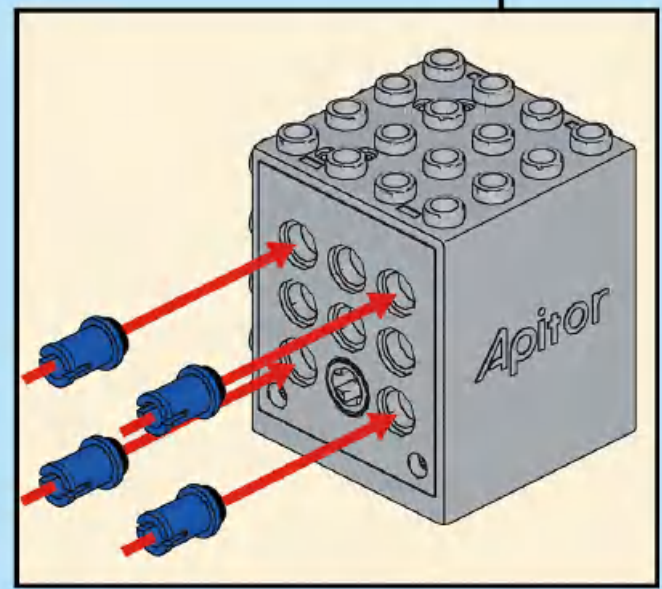
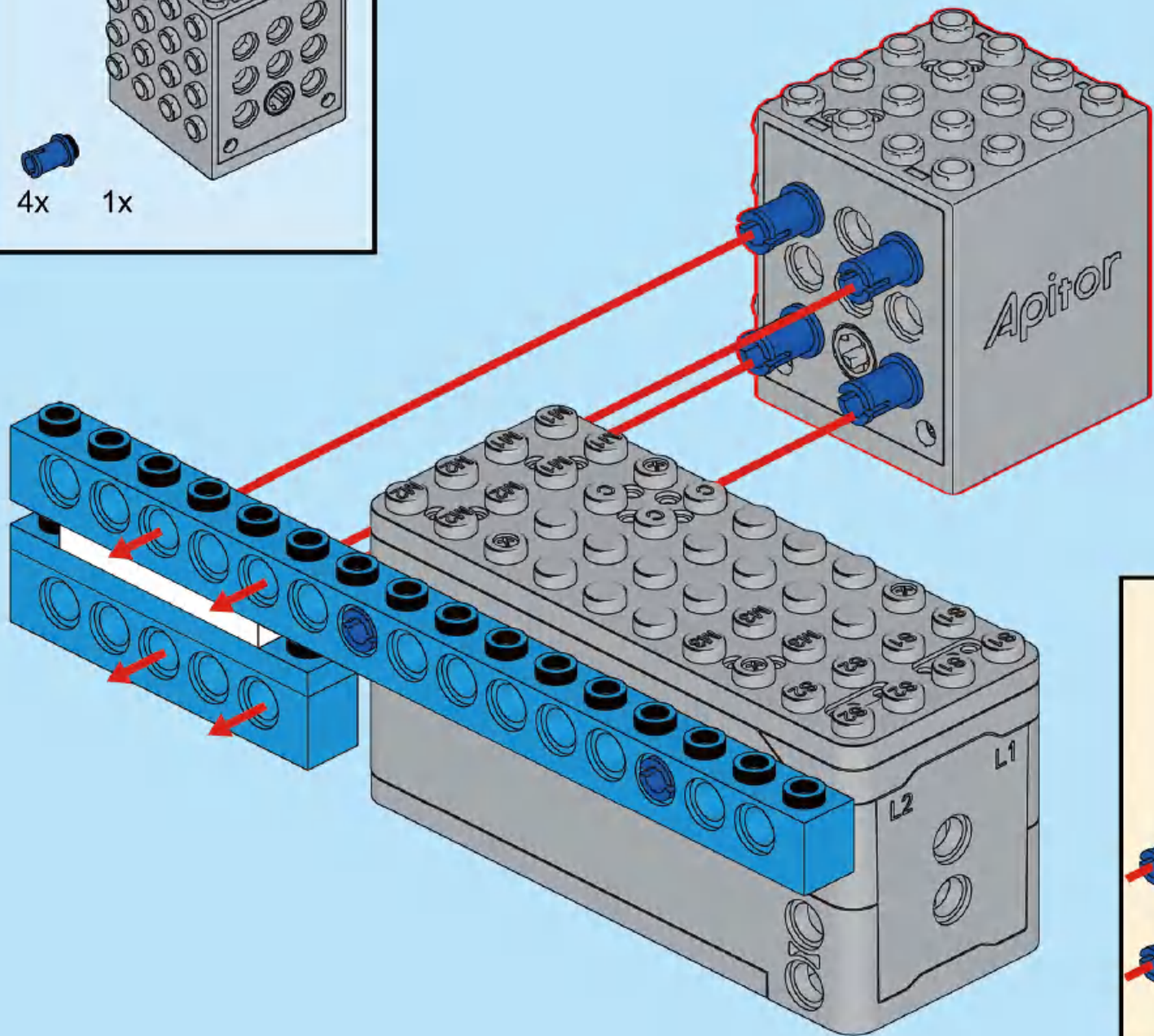
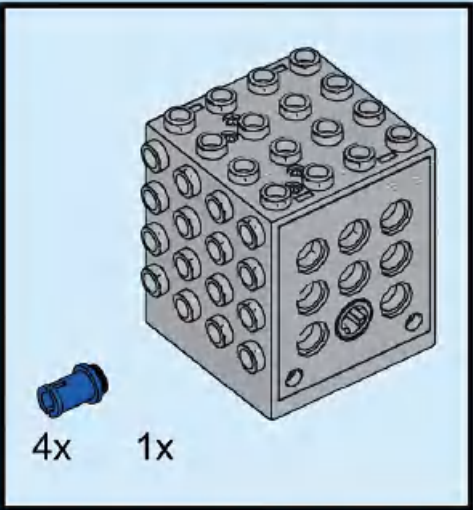
# 2



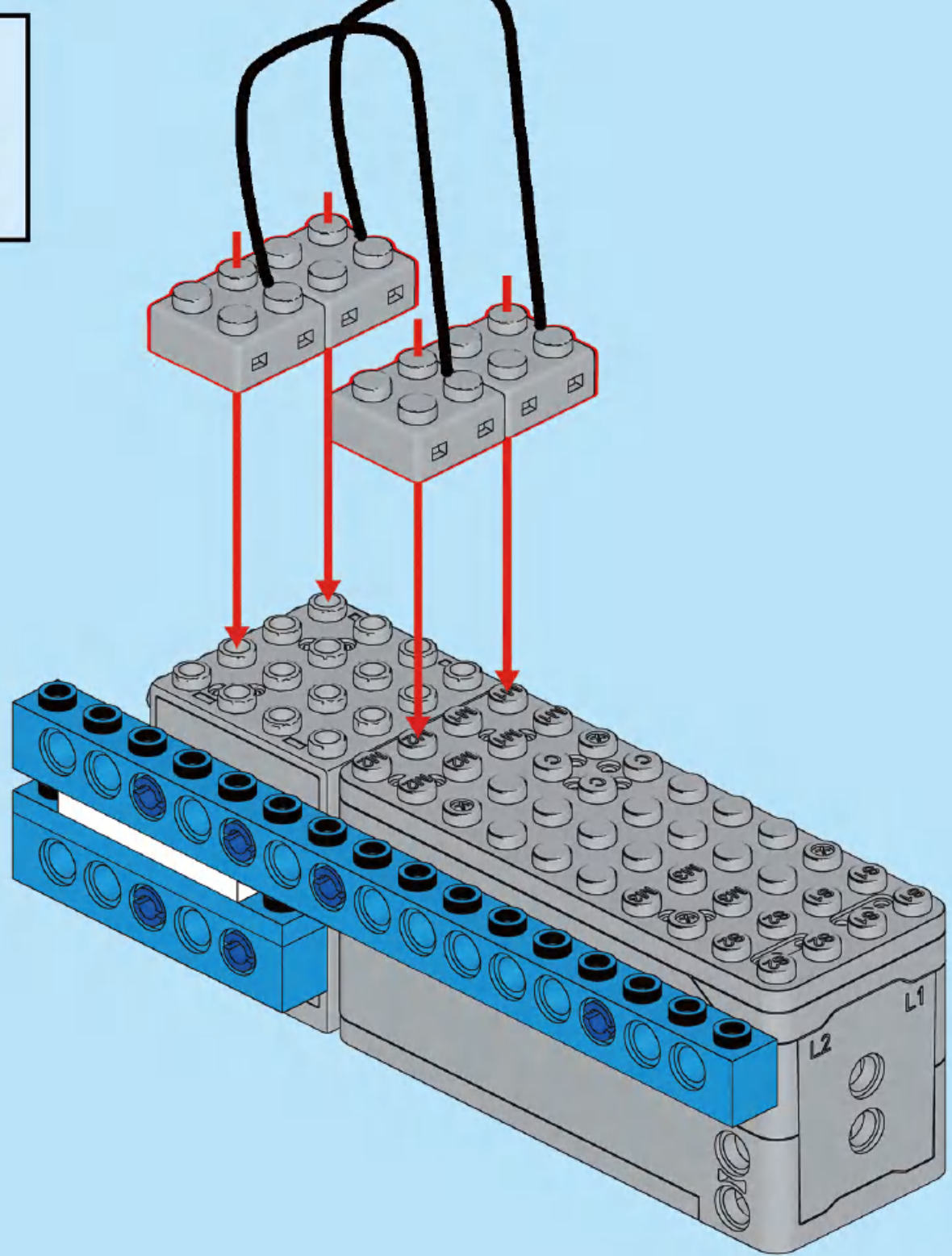
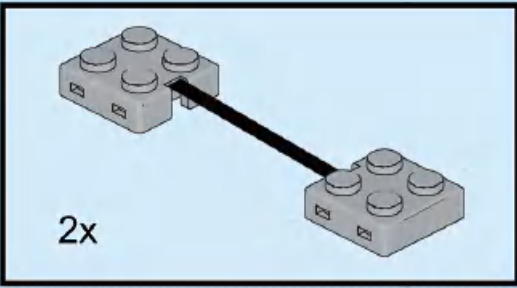
3



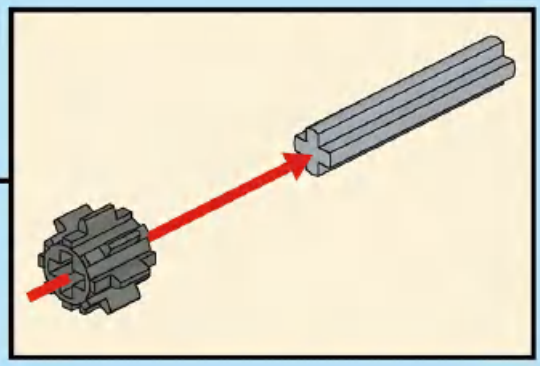
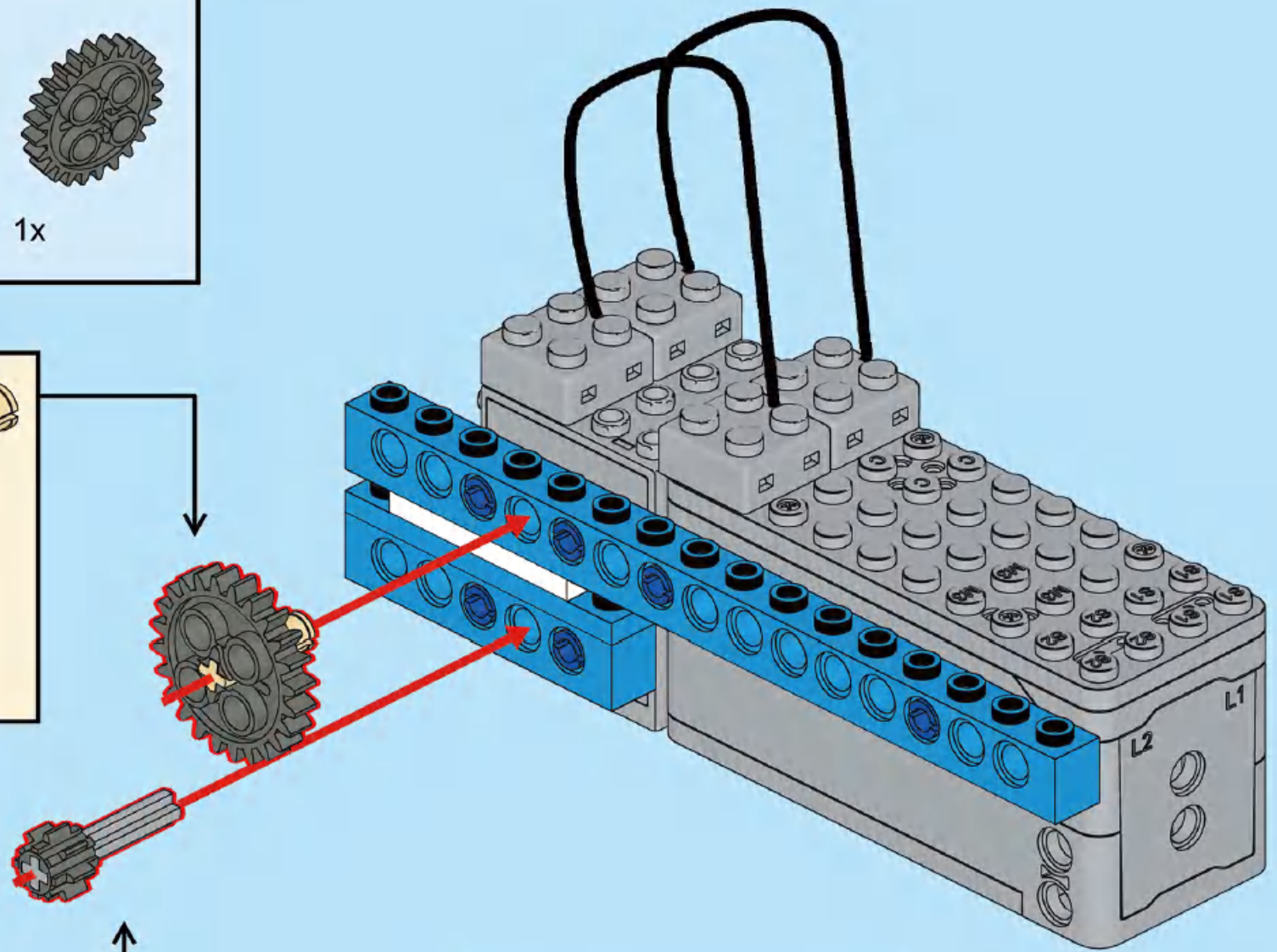
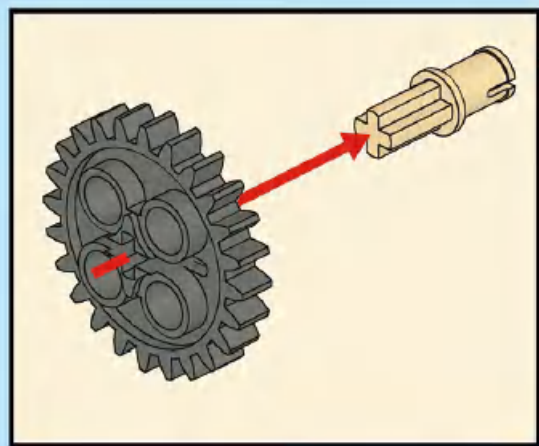
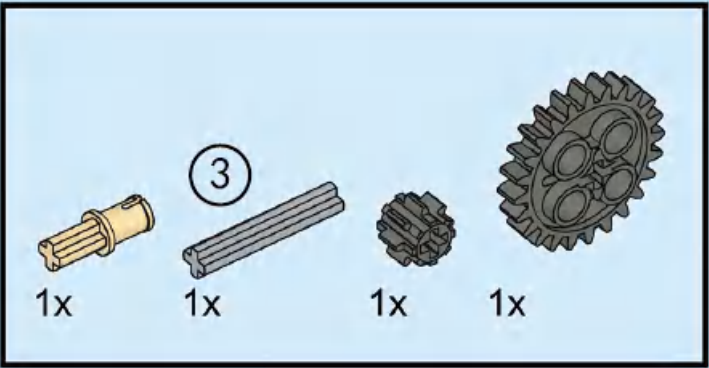
4



# 5

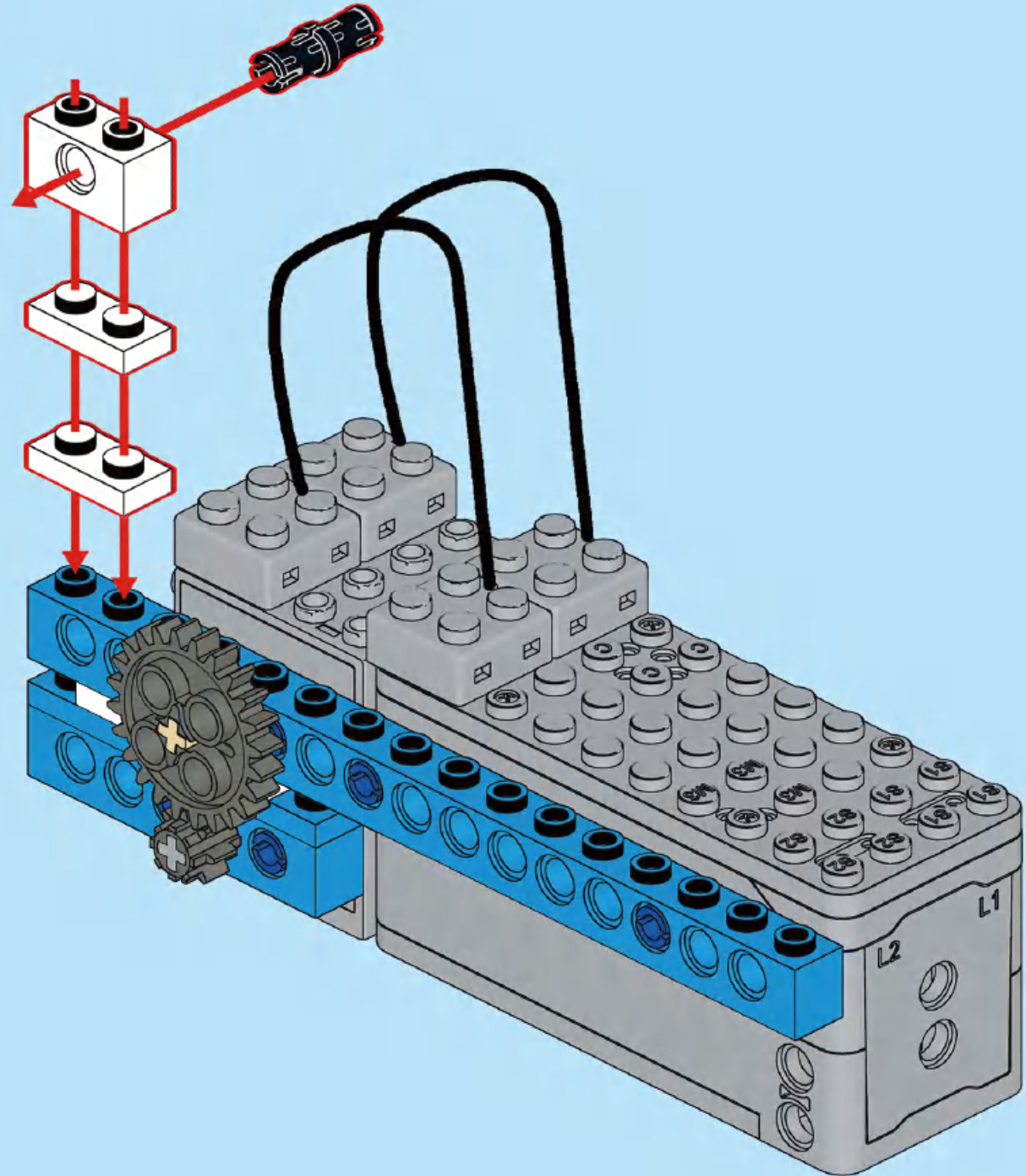
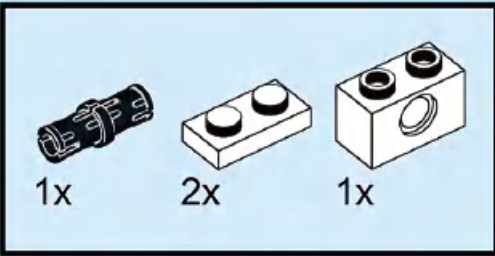


# 6

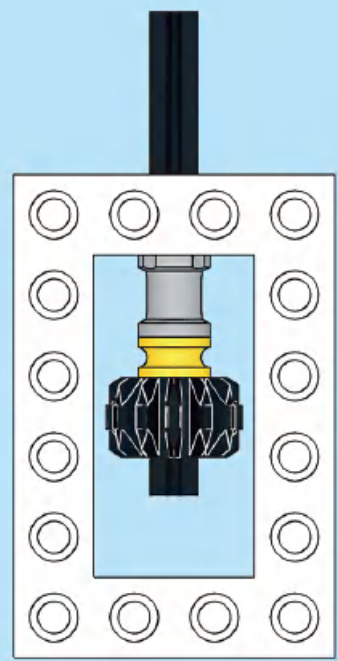
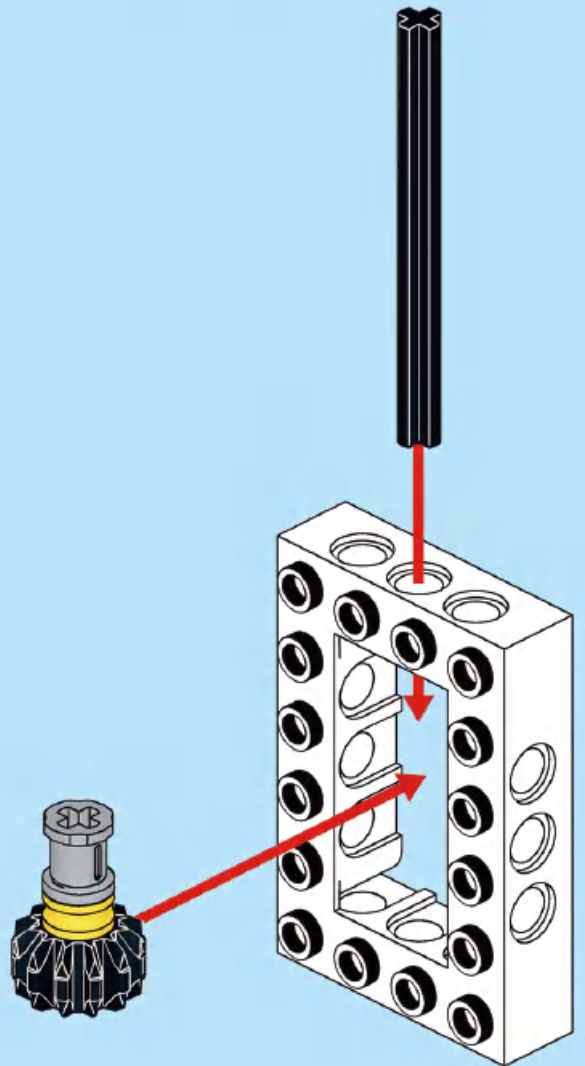
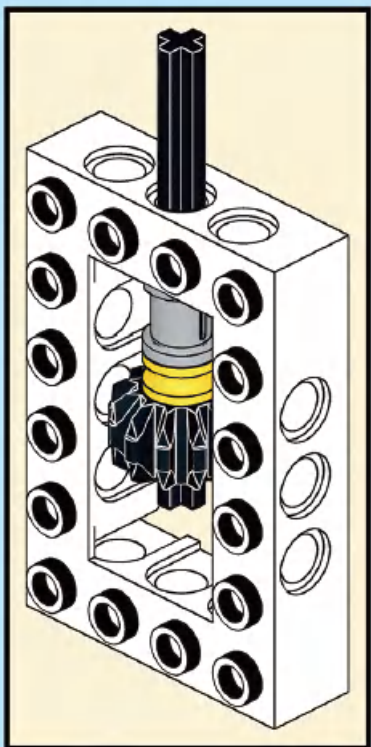
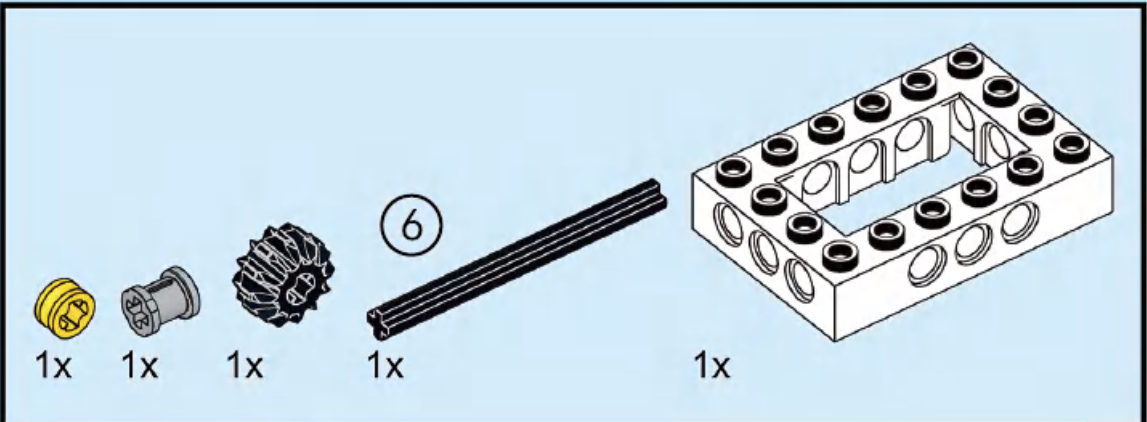




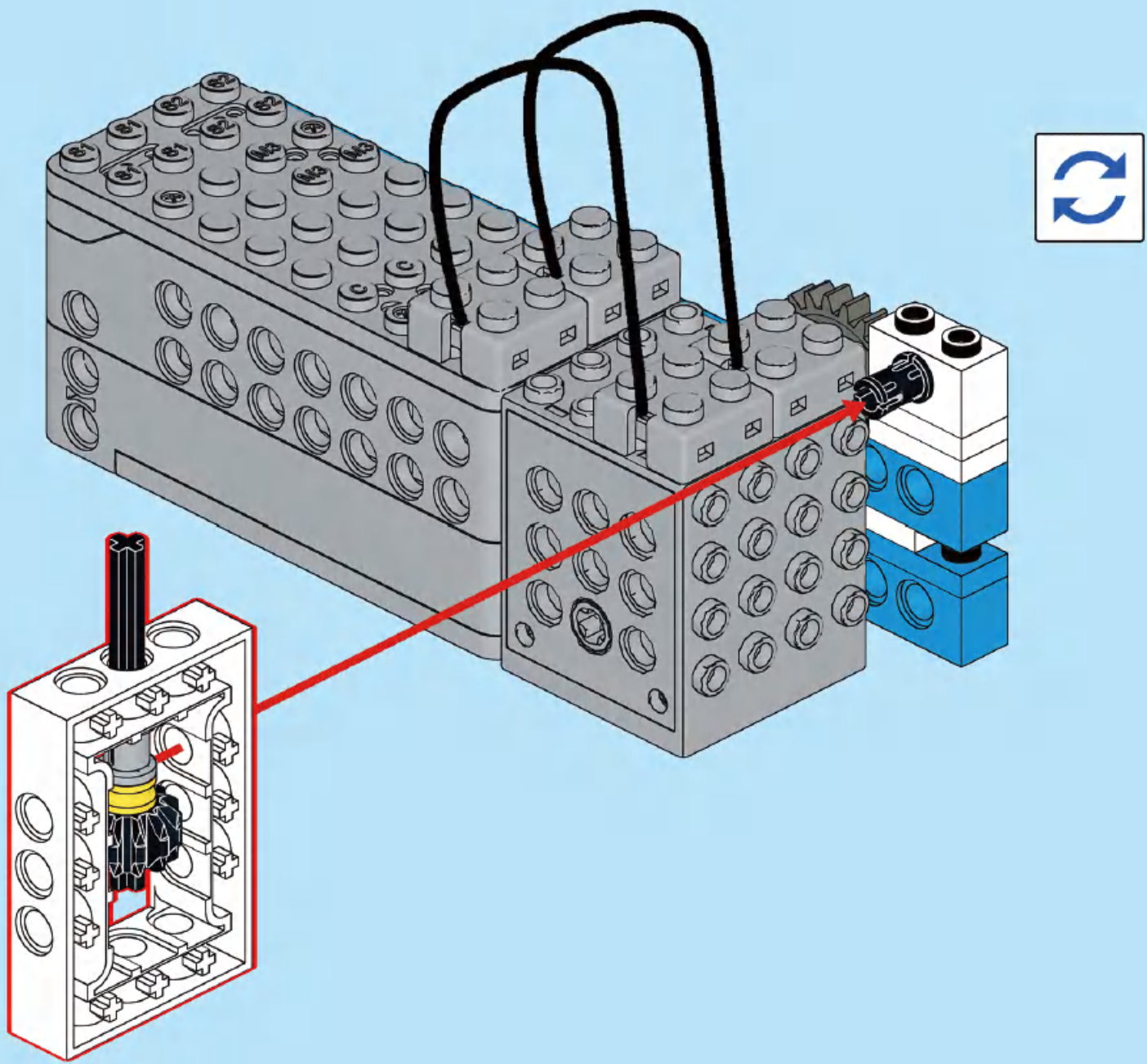
# 7



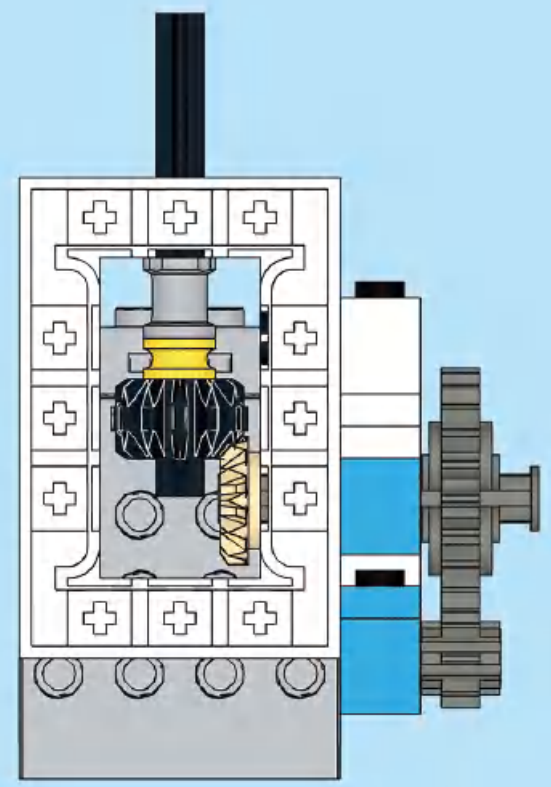
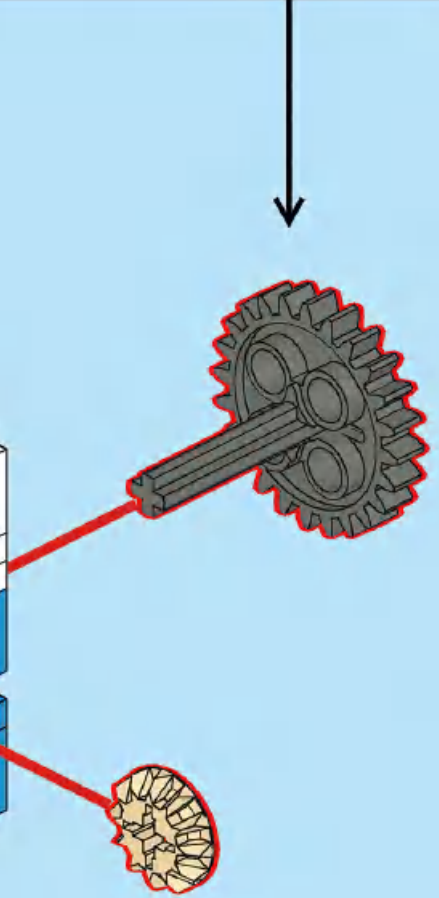
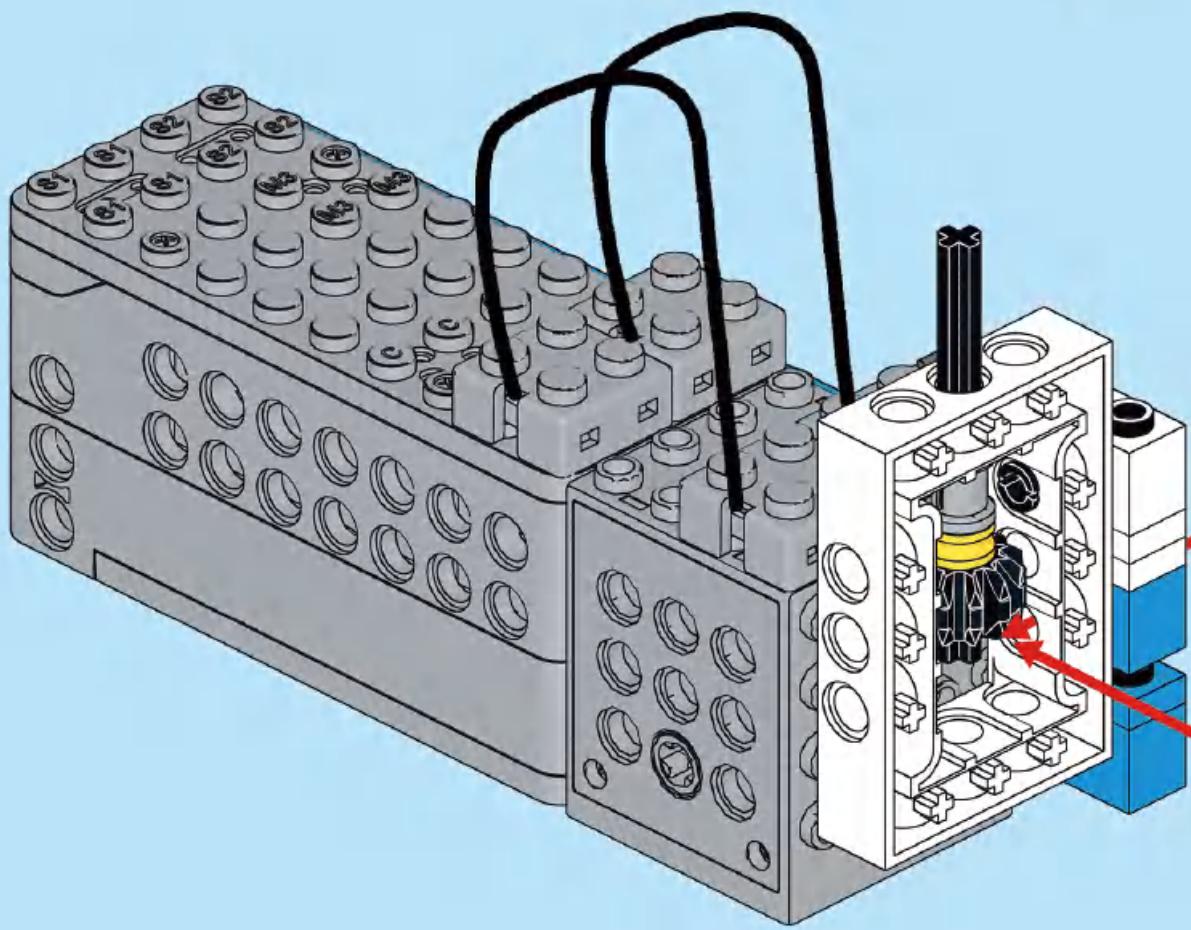
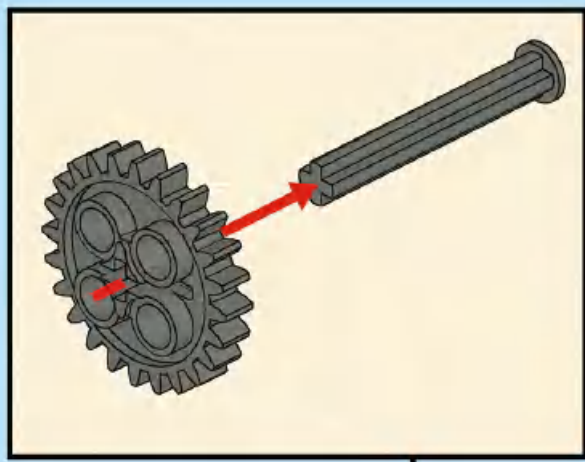
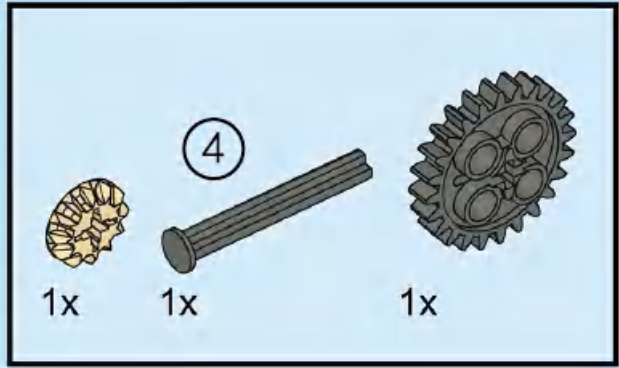
# 8



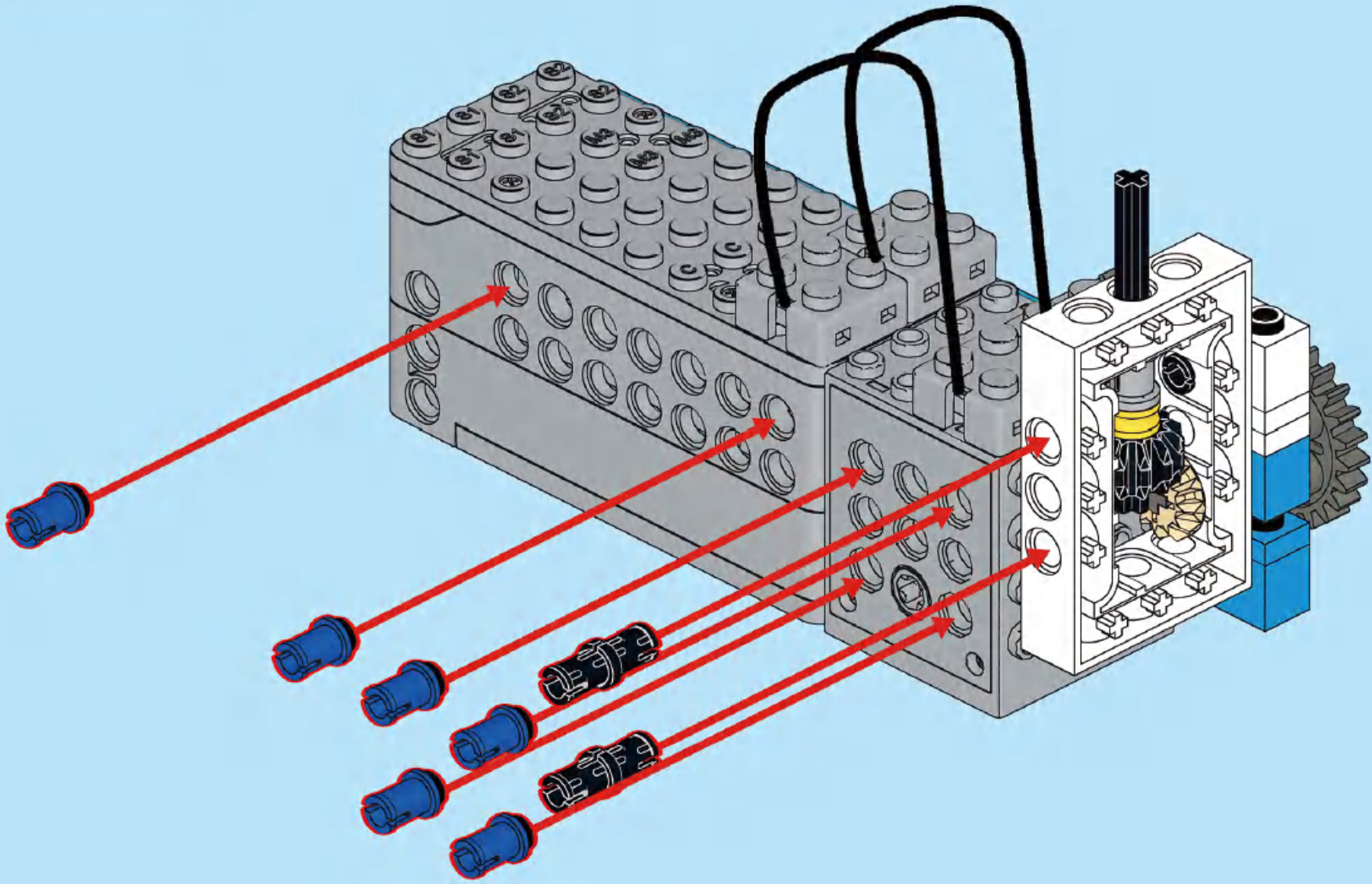
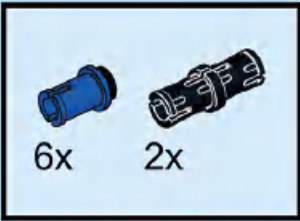
9



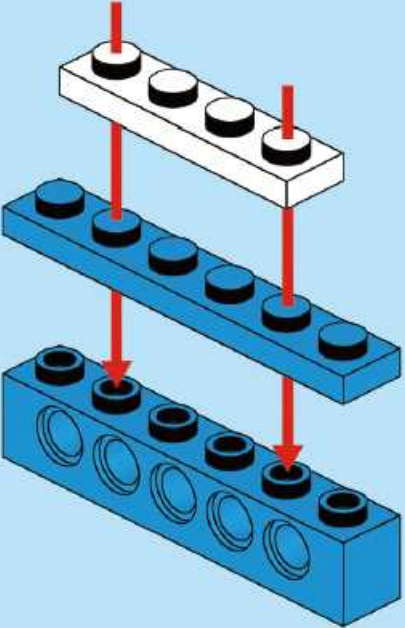
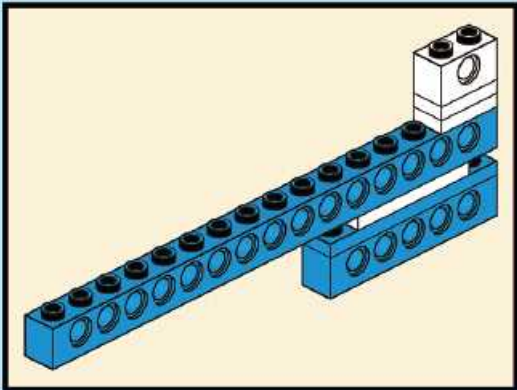
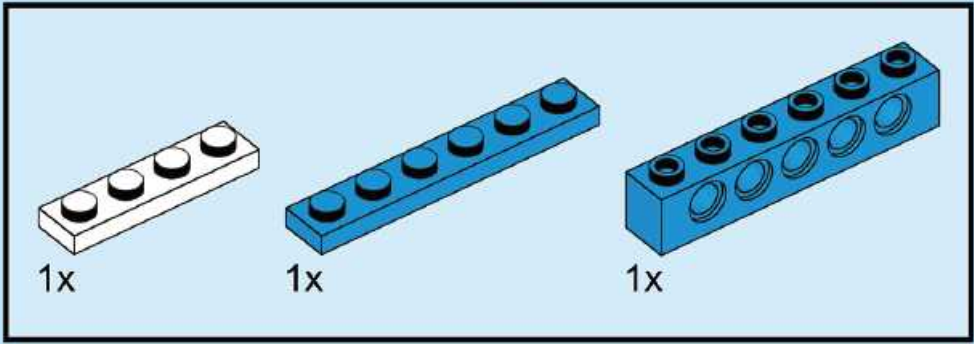
# 10



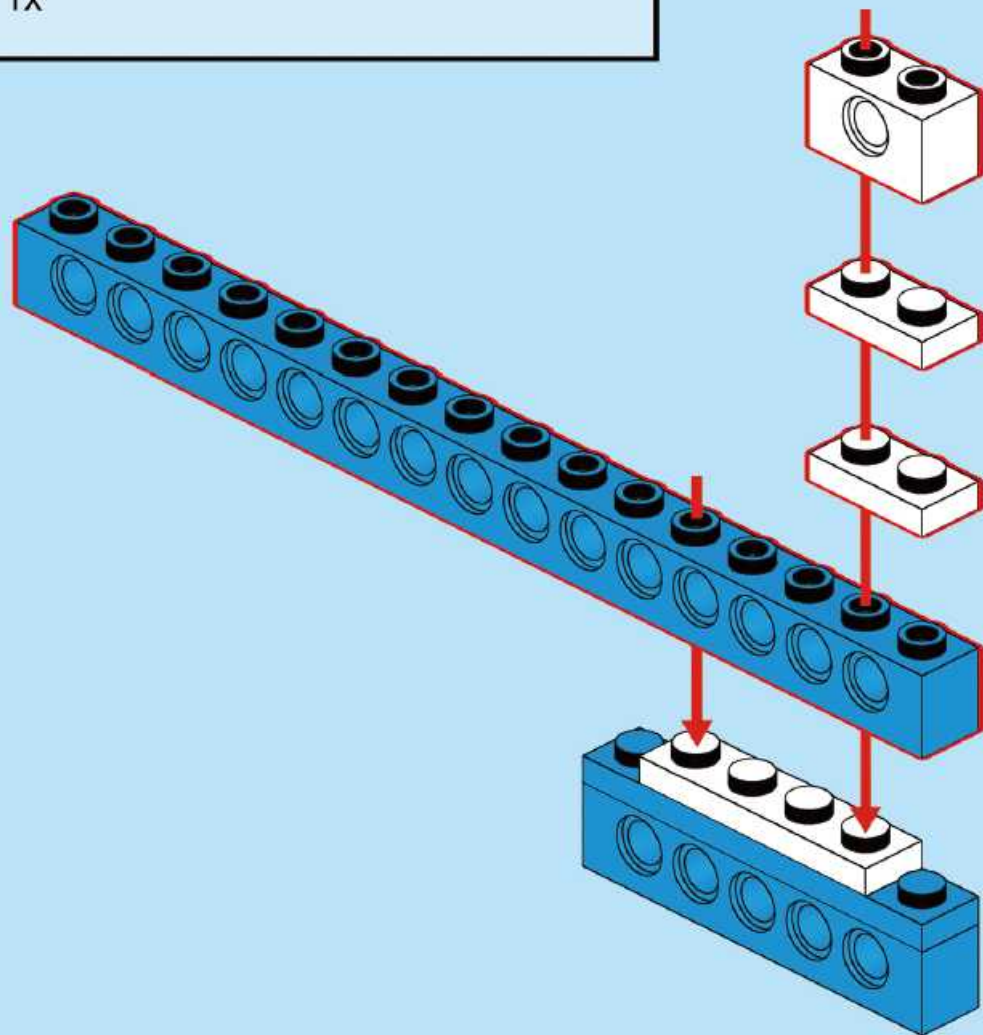
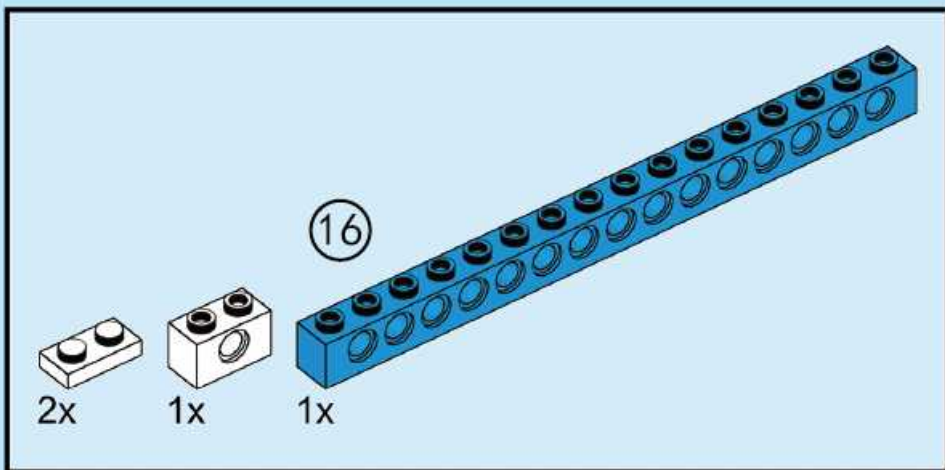
# 11

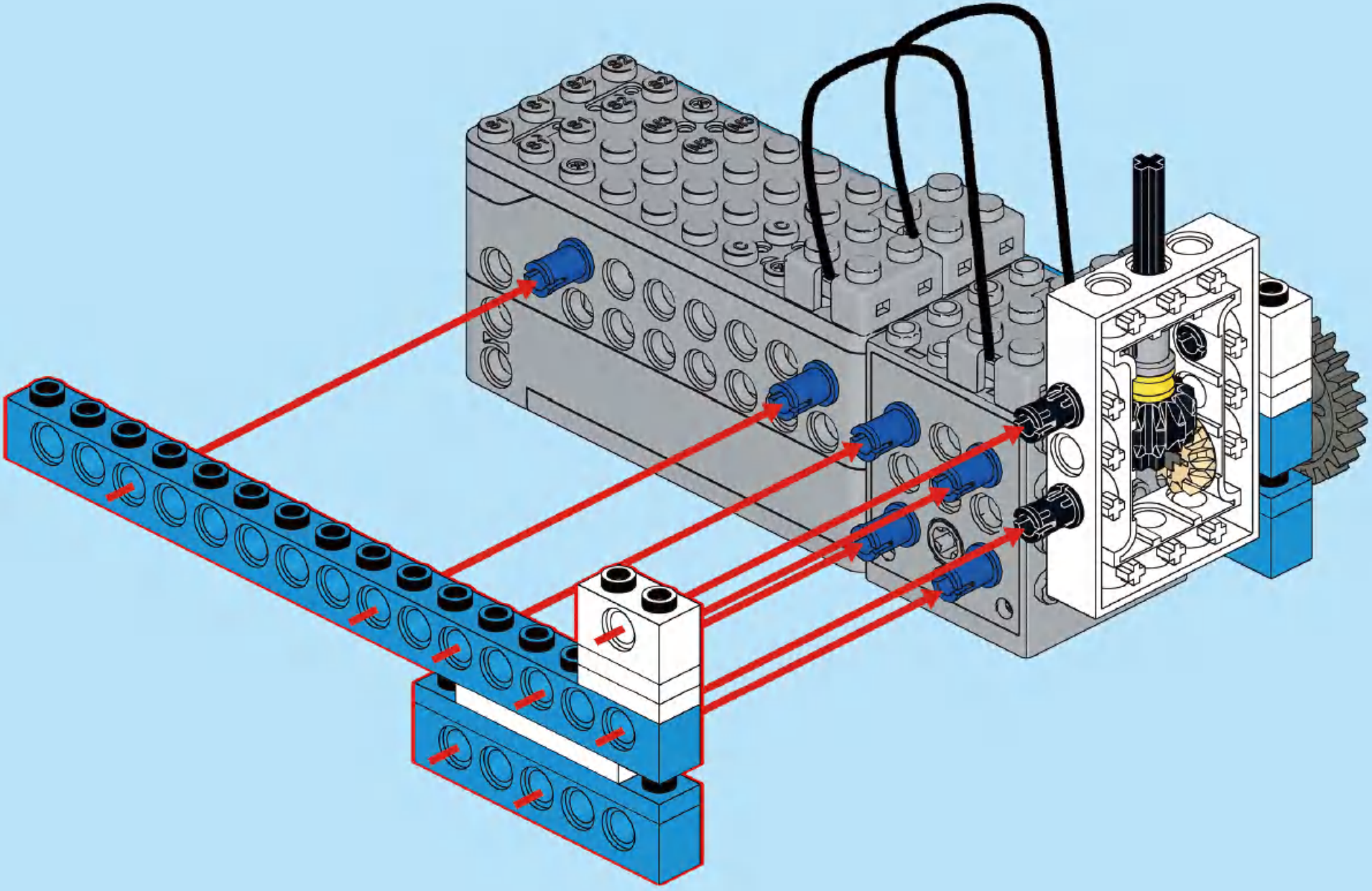


# 12



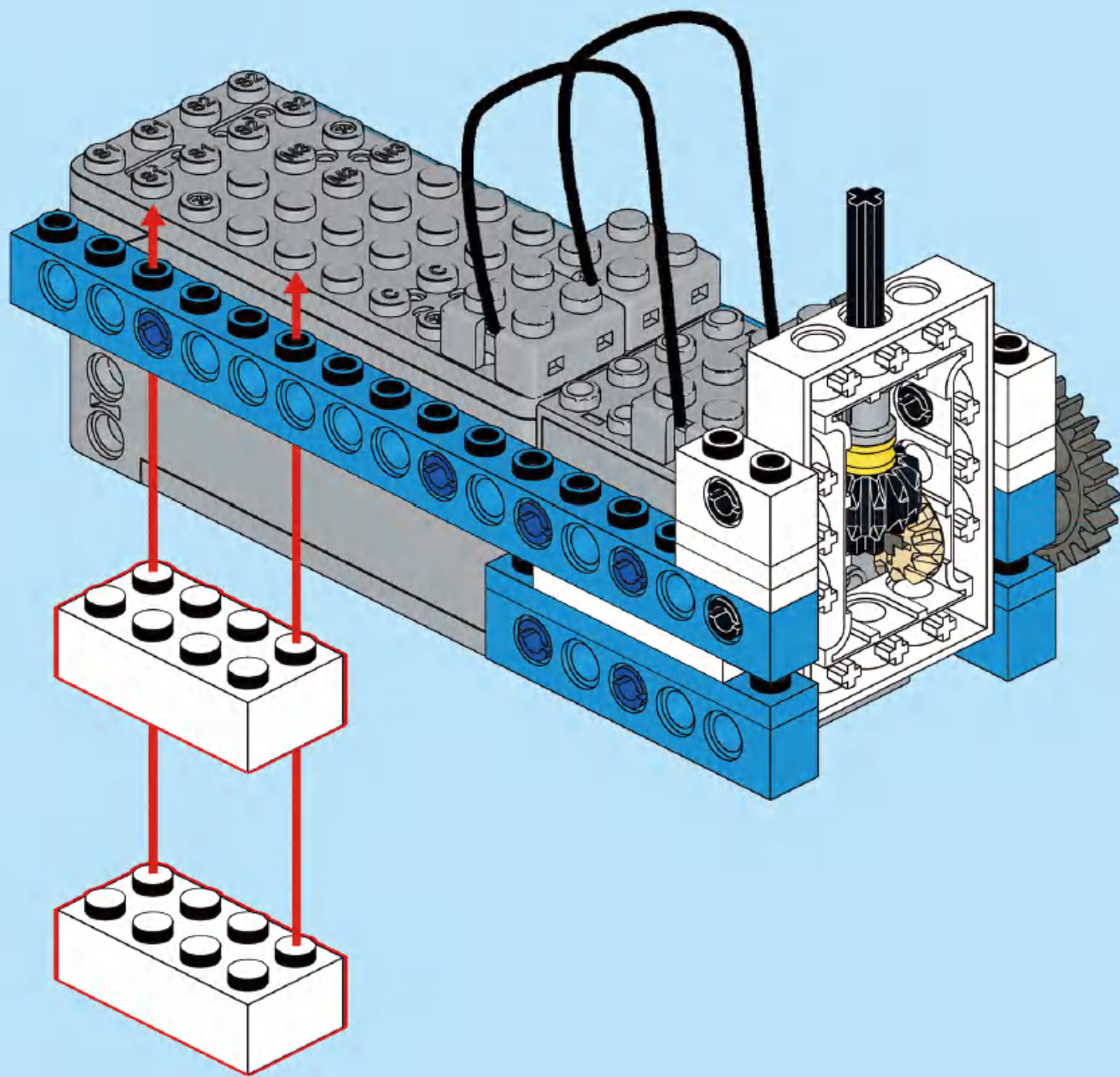
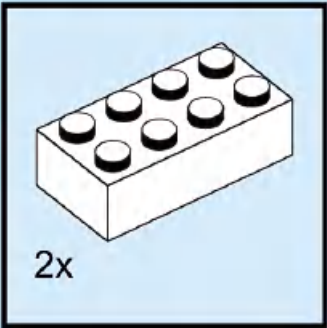
# 13



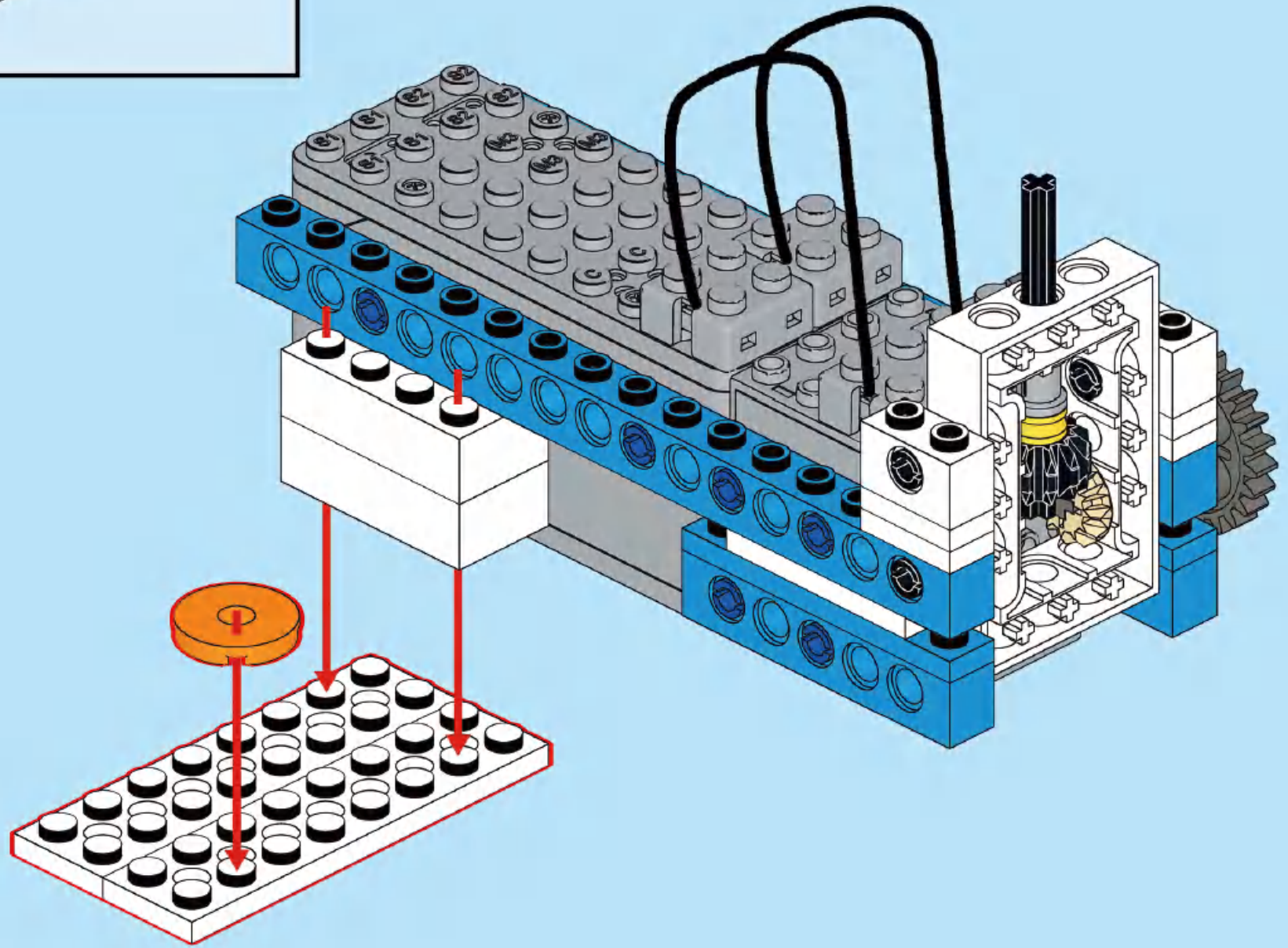
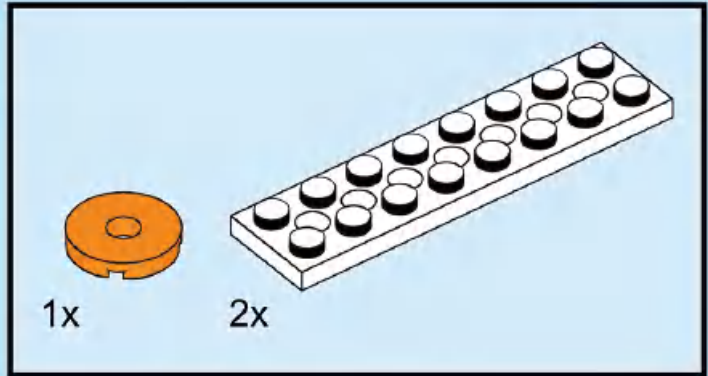




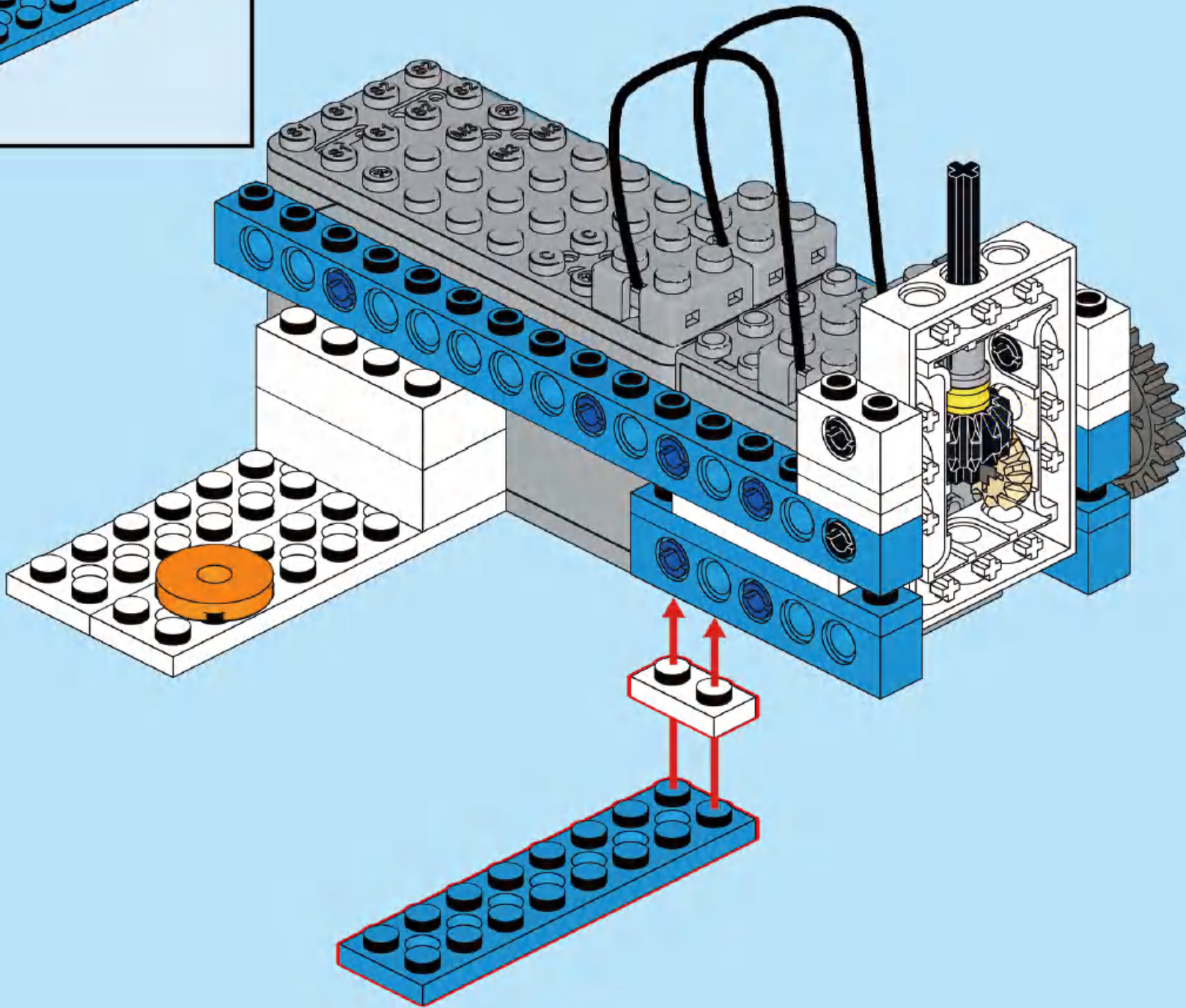
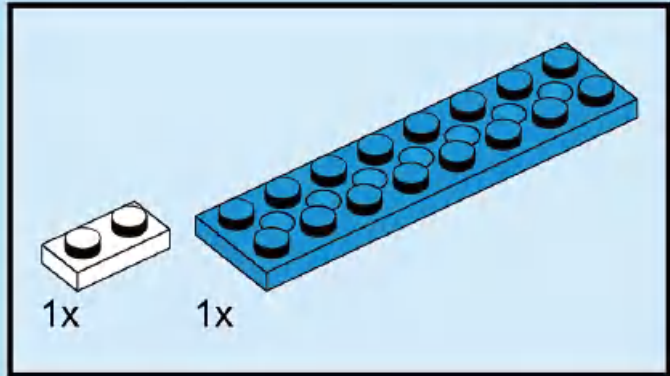
# 15



# 16

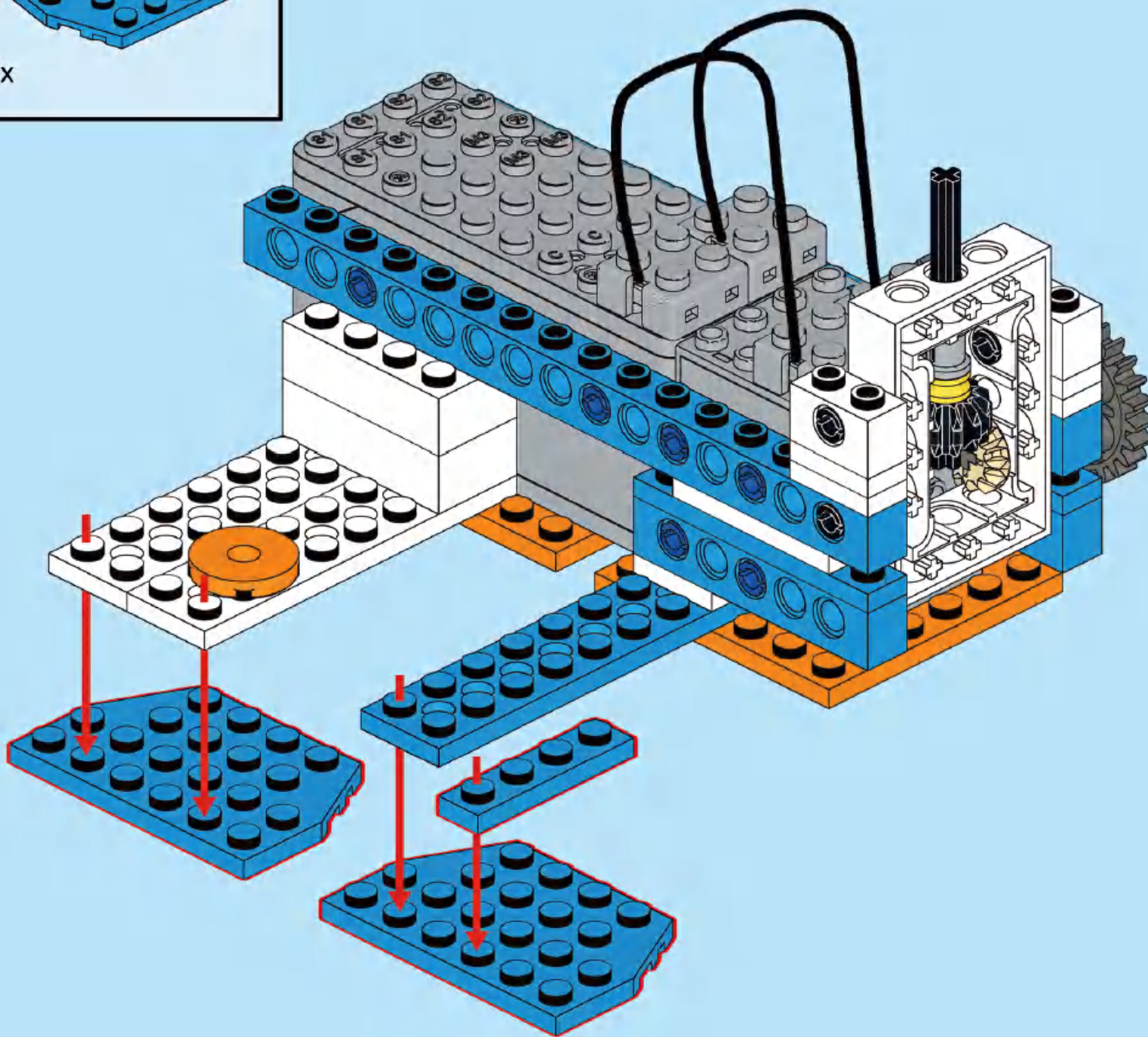
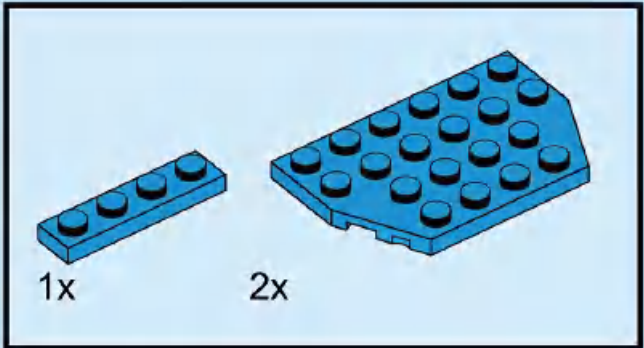


# 17



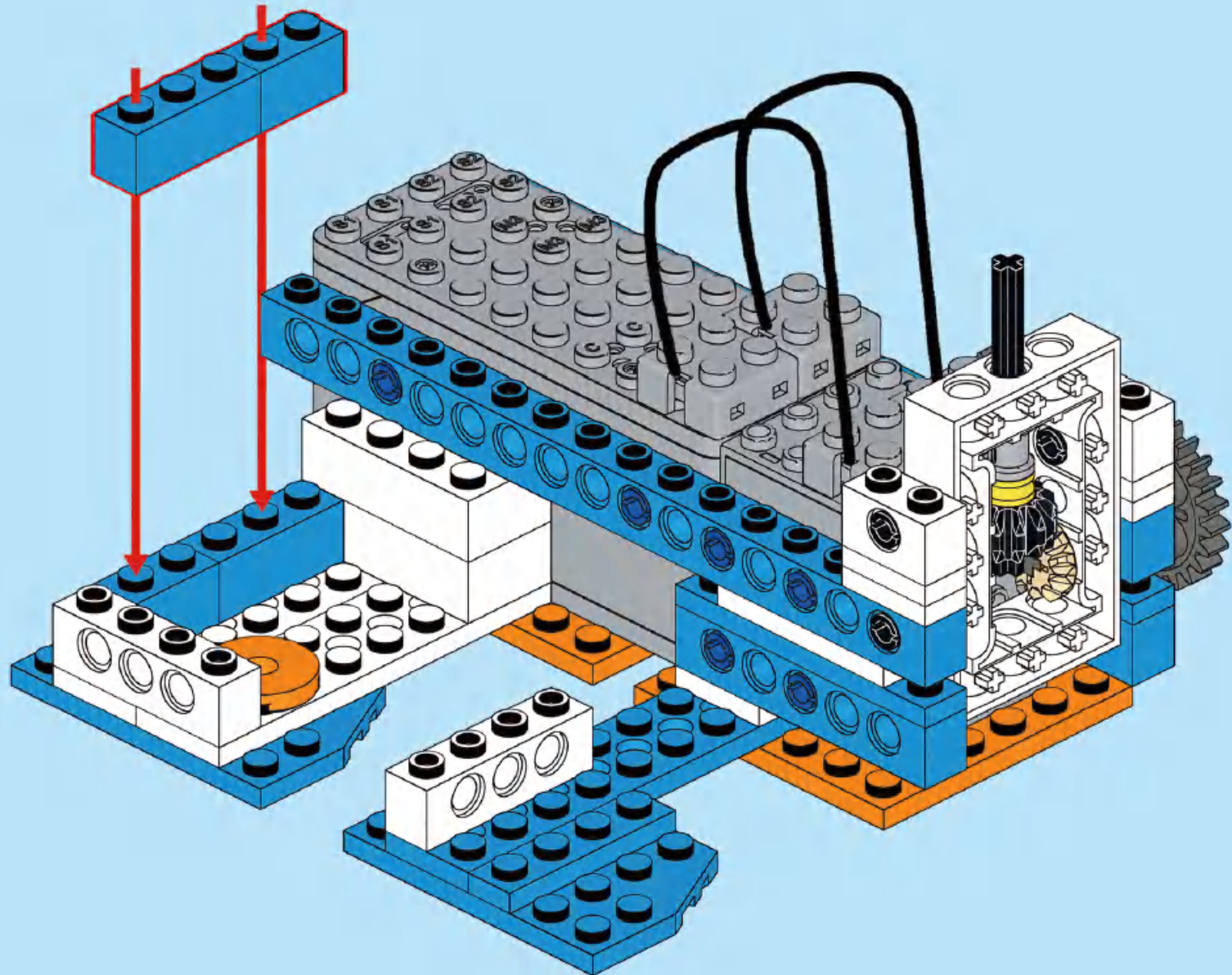
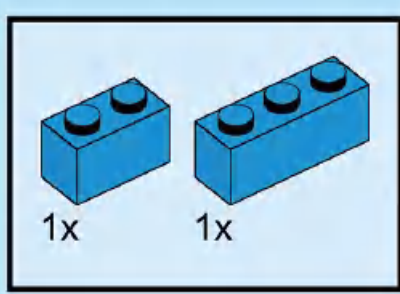


# 19

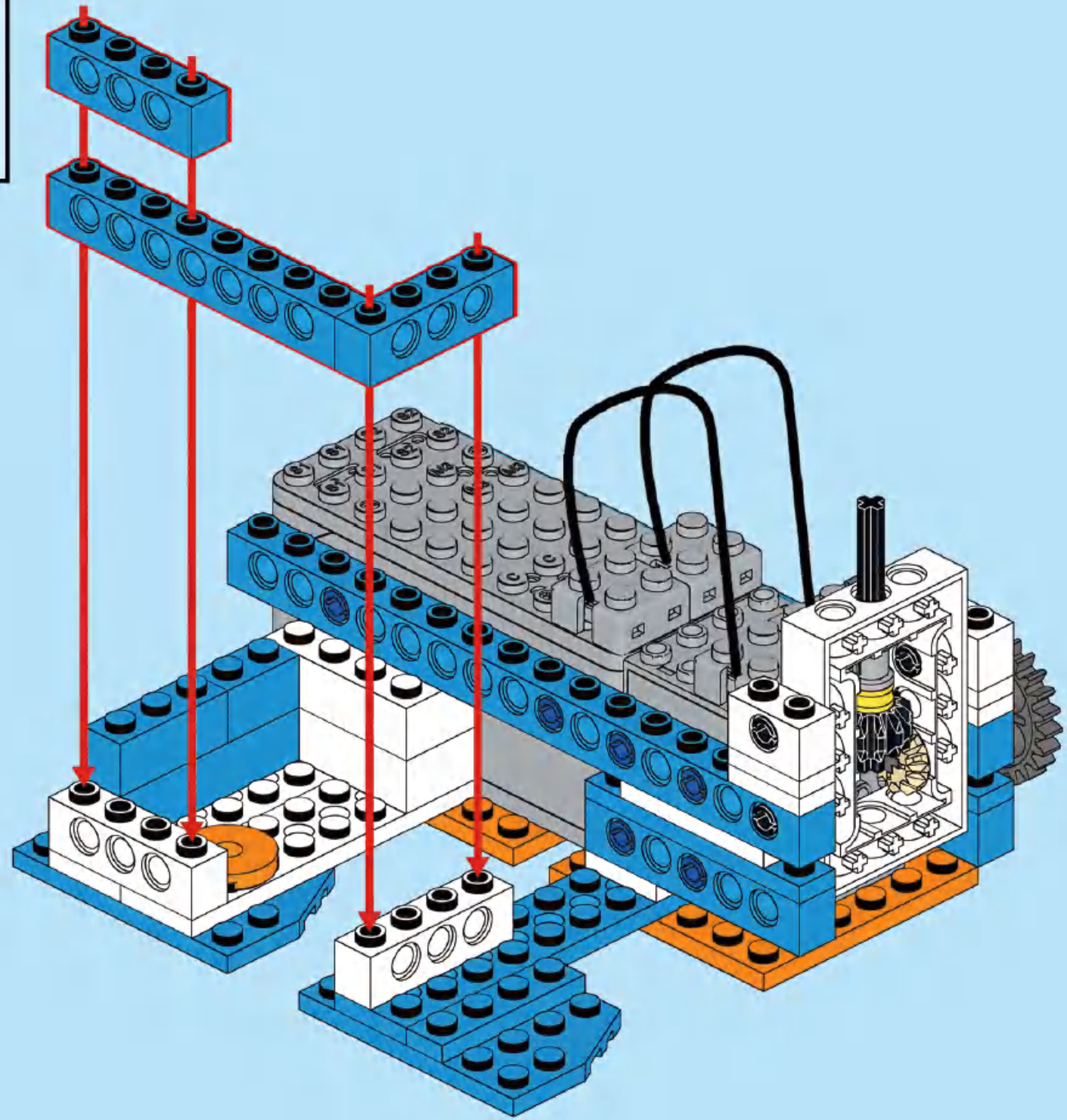
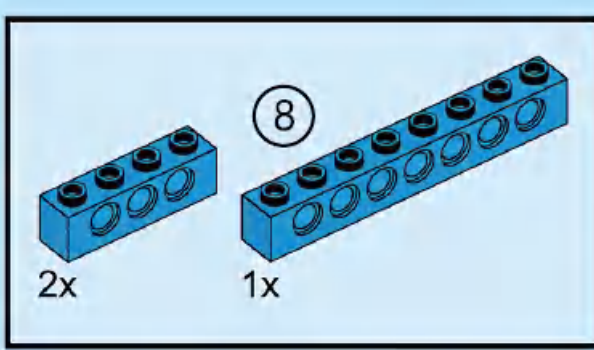




# 21

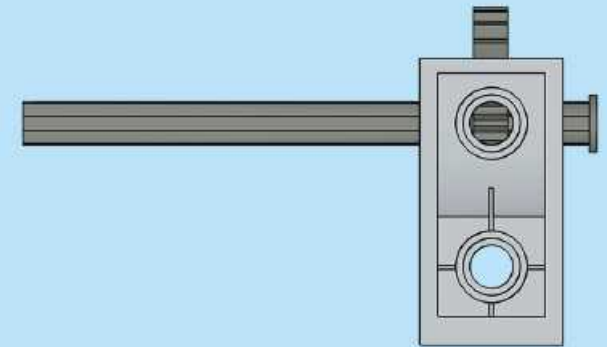
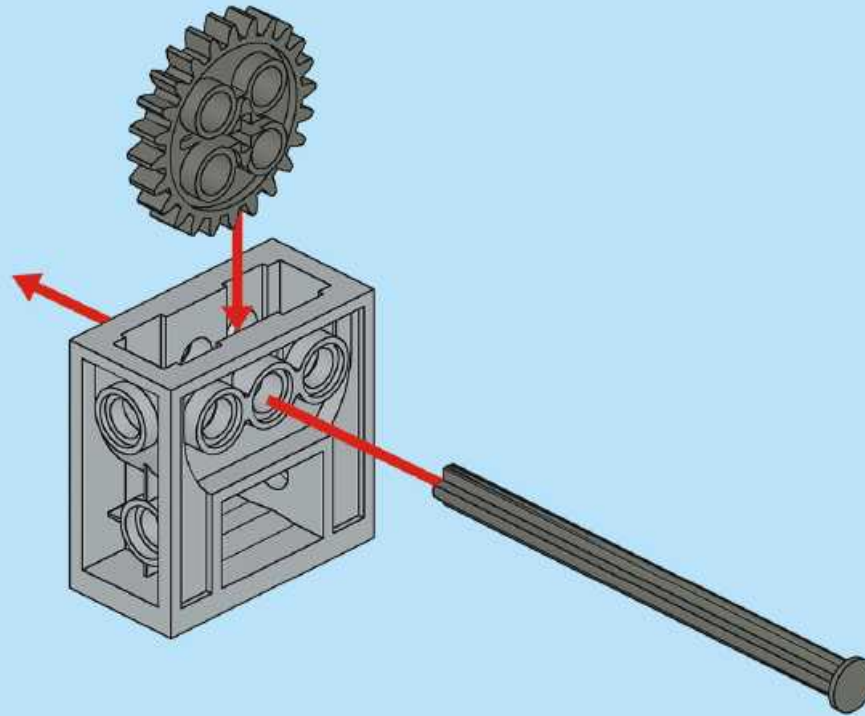
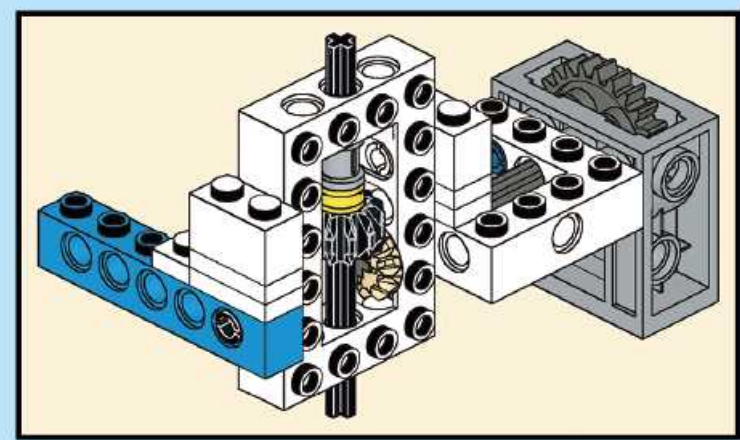
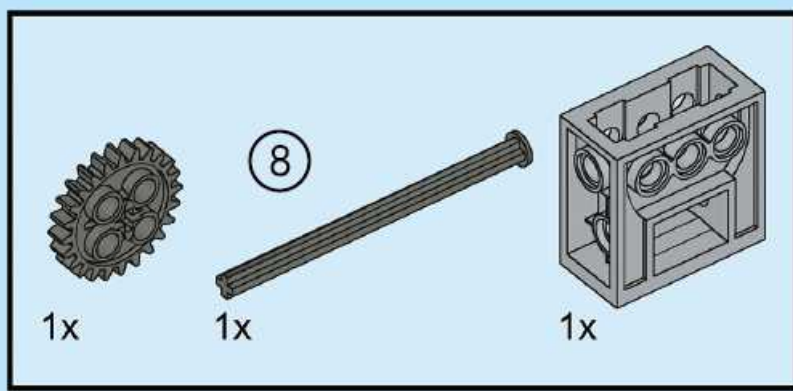


# 22

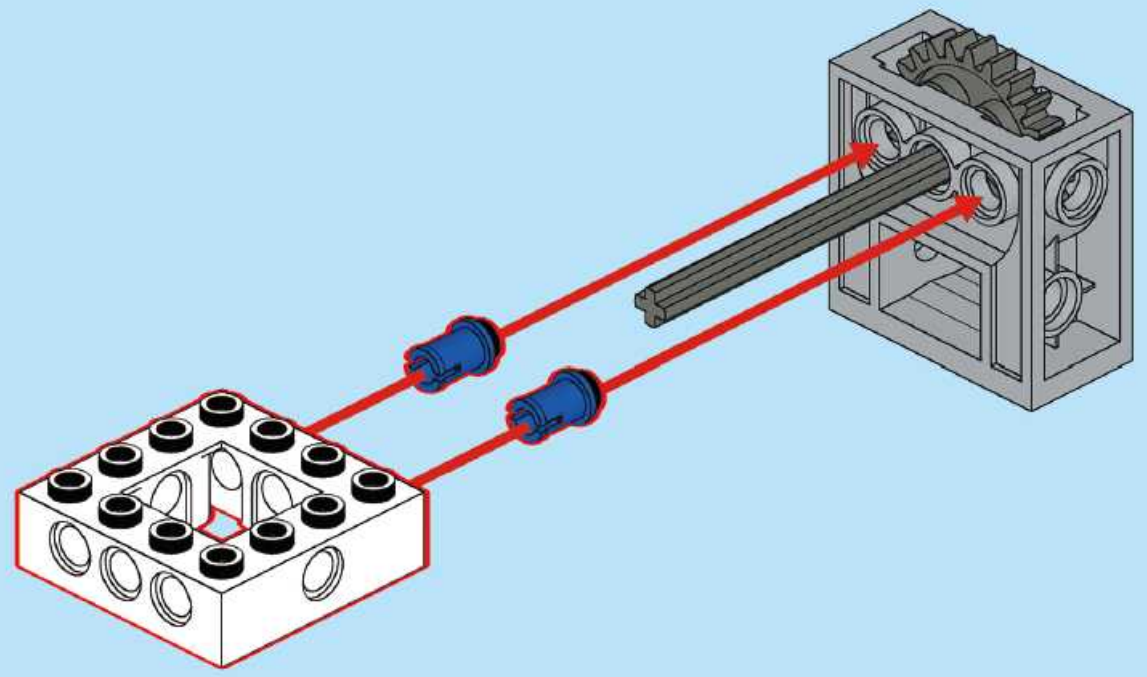
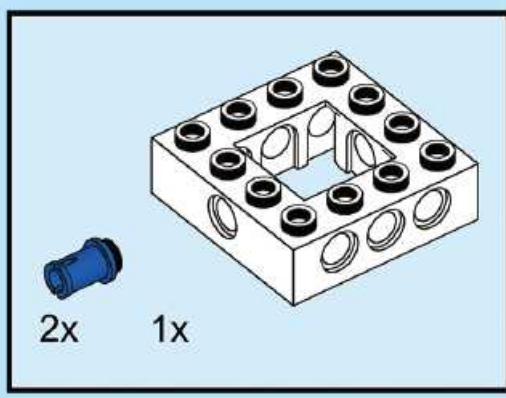




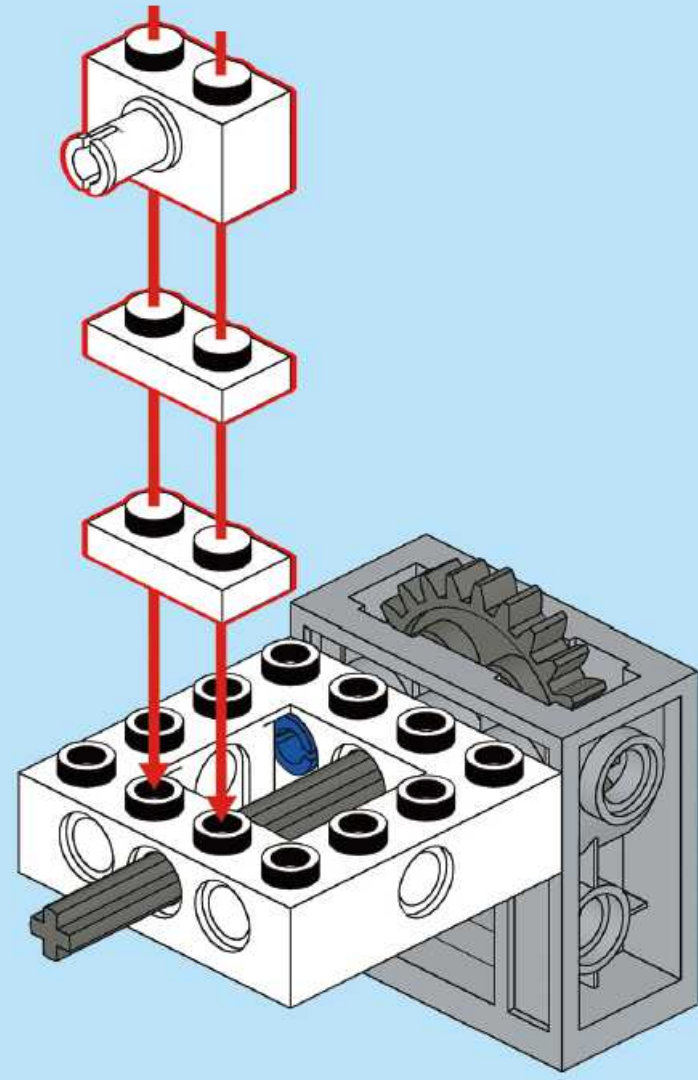
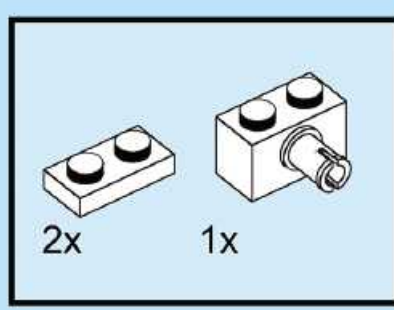
# 23



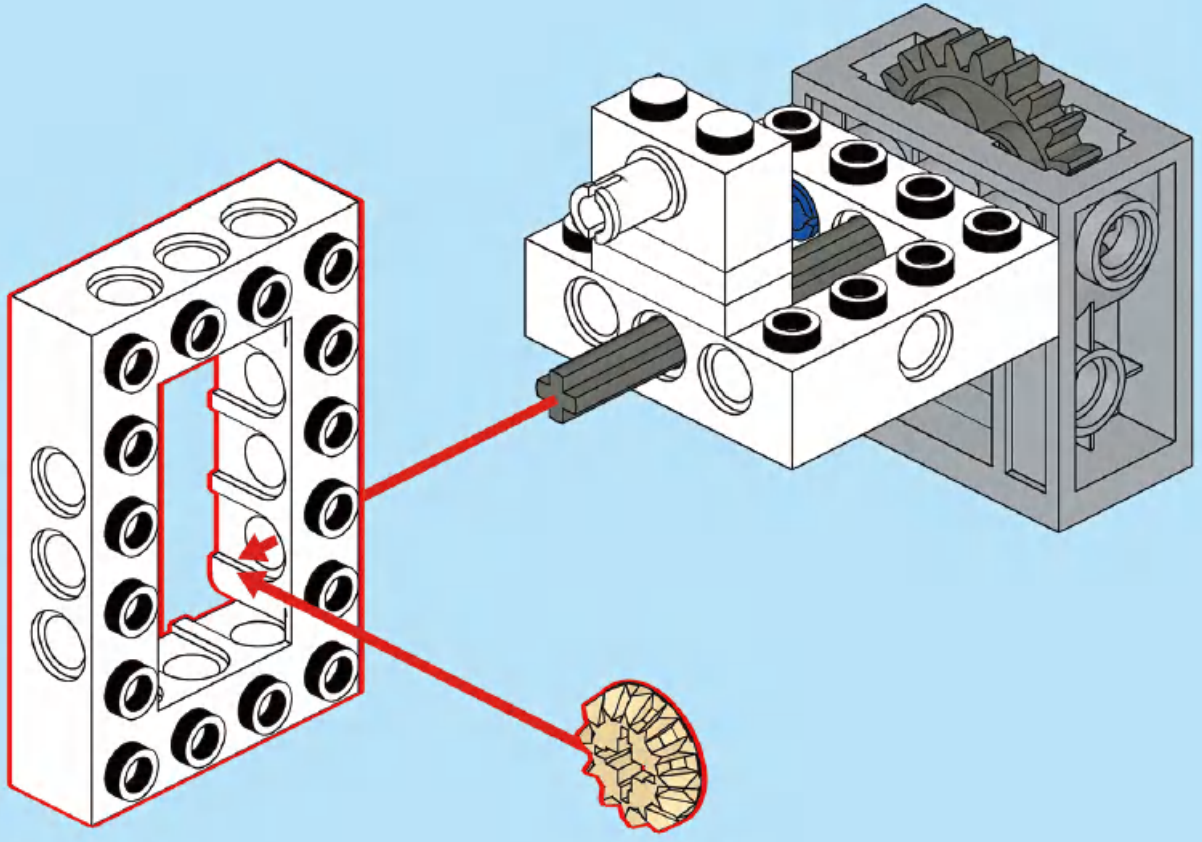
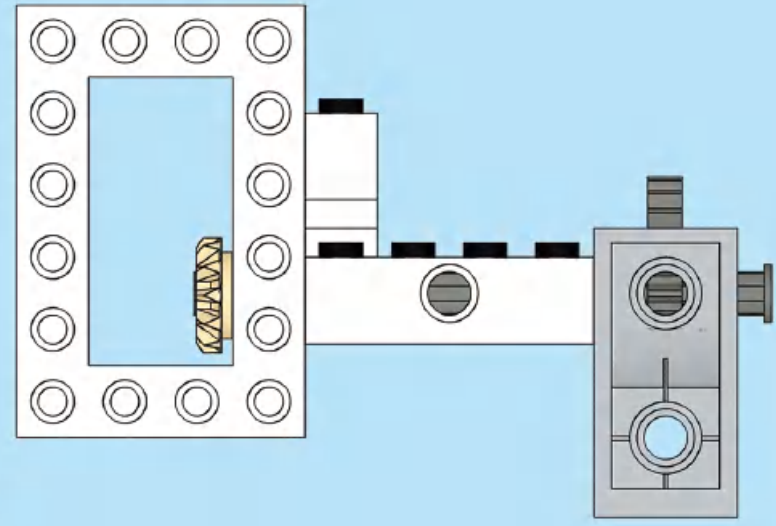
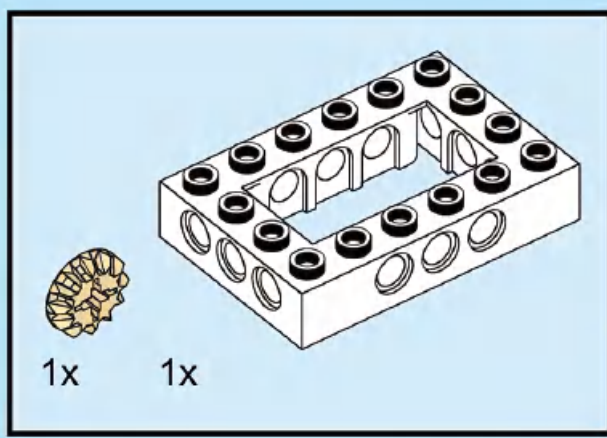
# 24



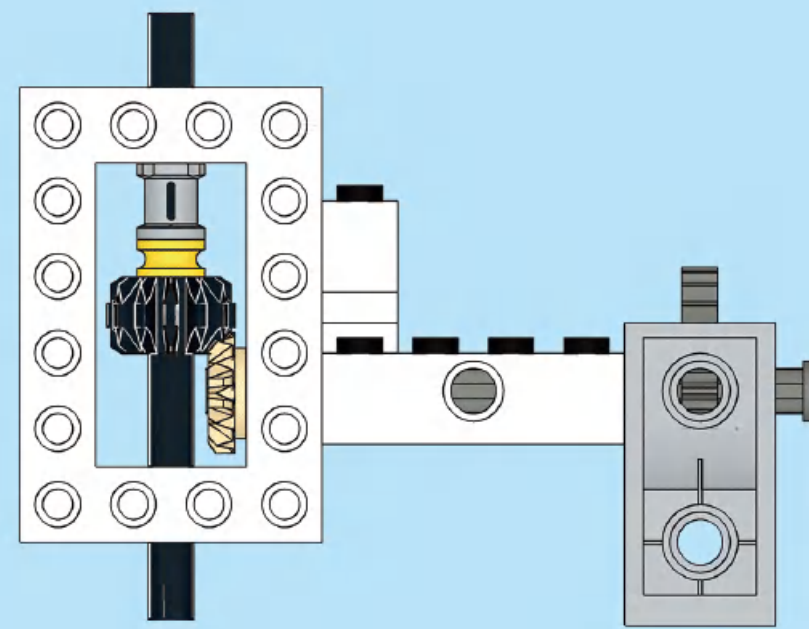
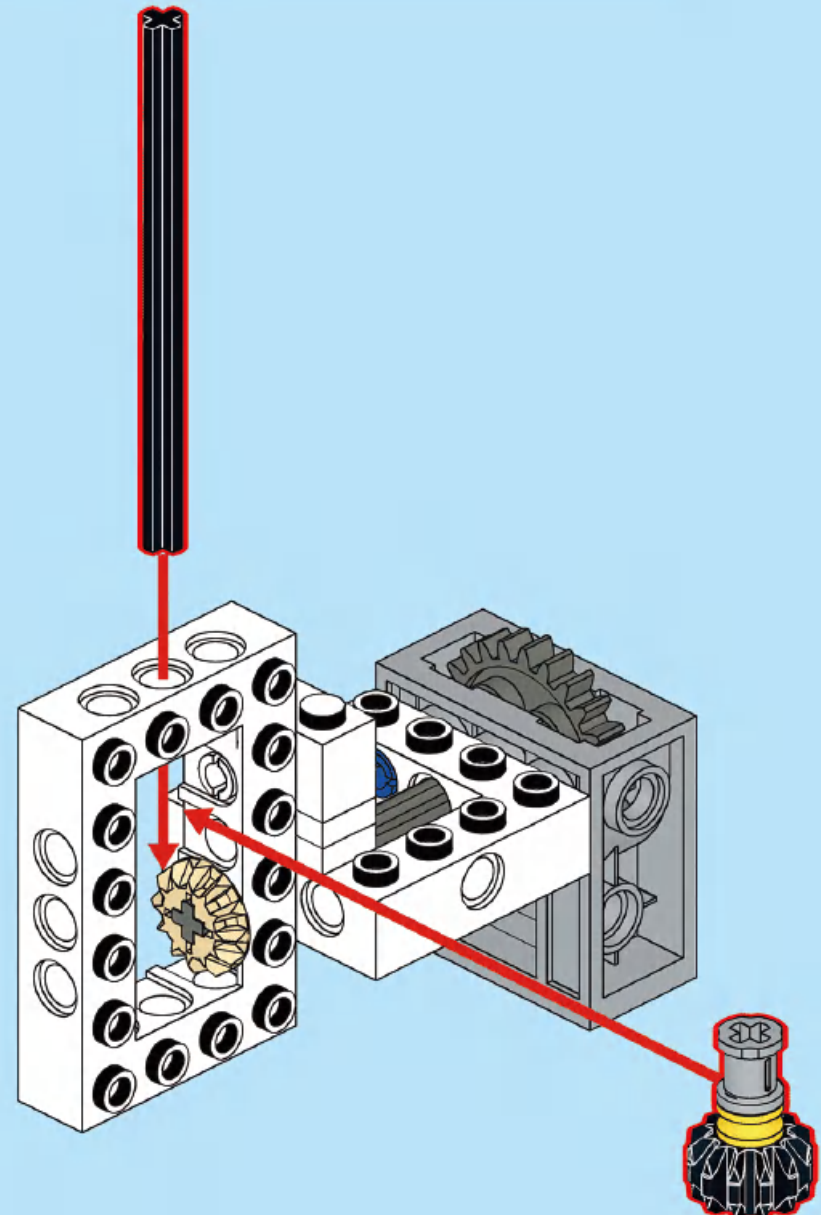
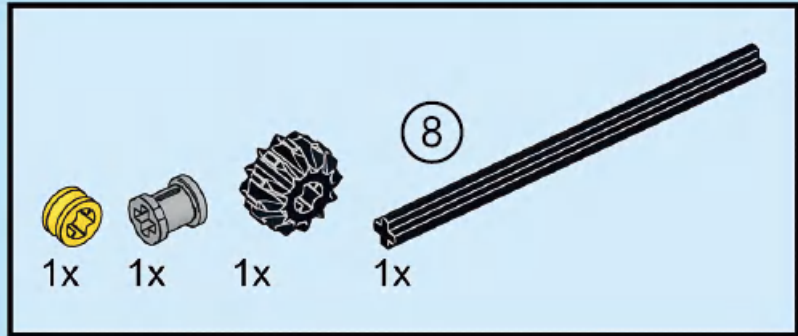
# 25



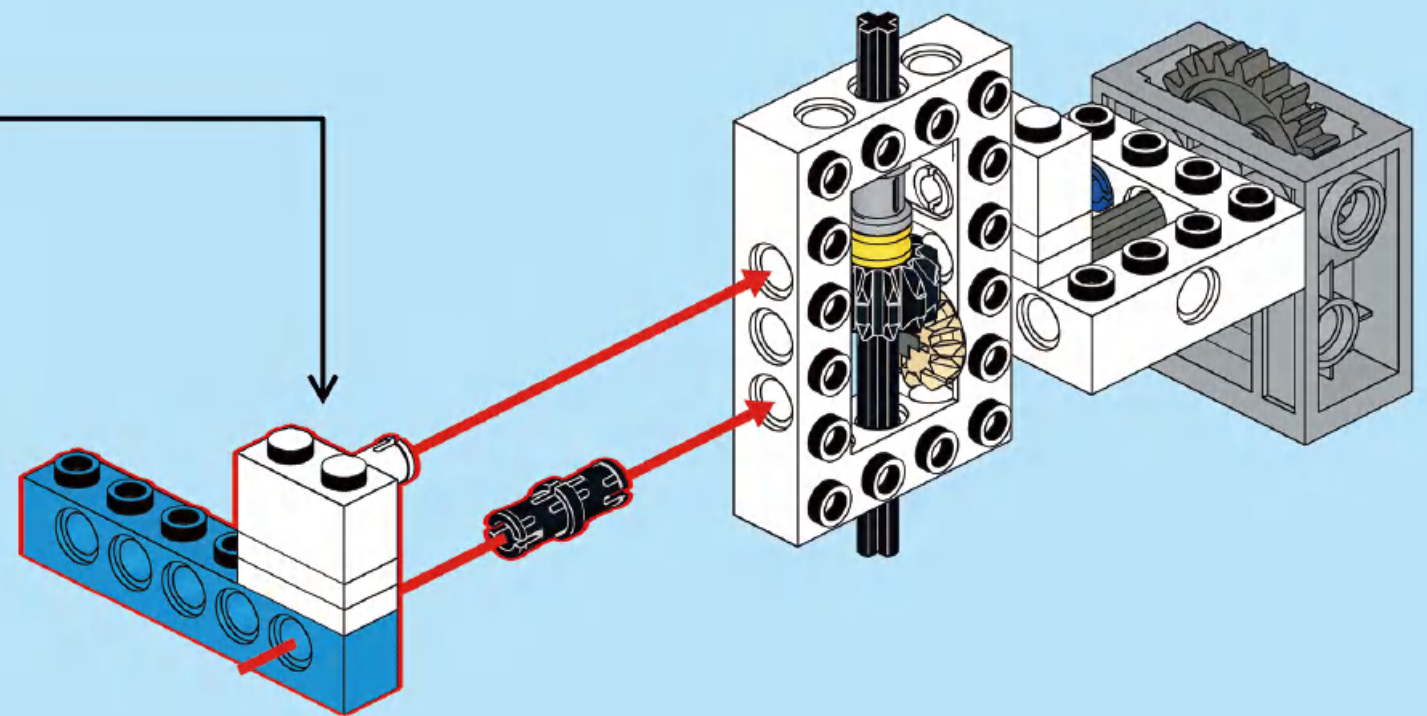
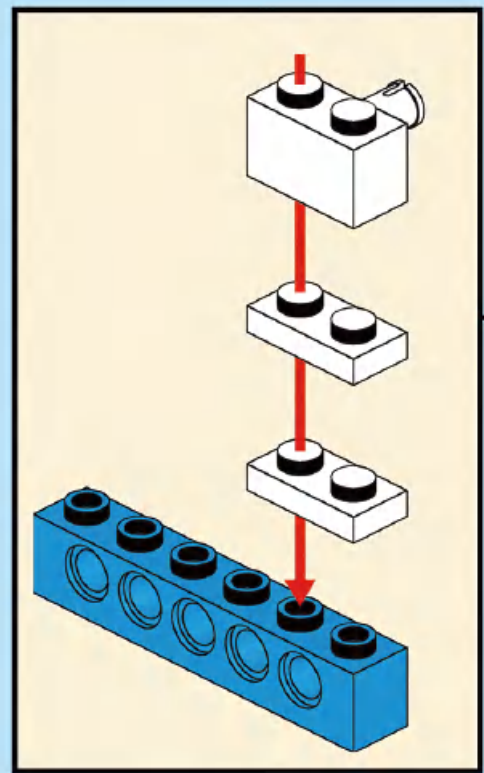
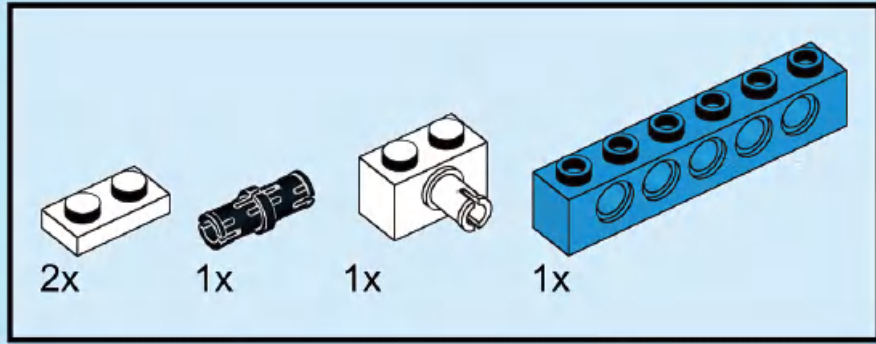
# 26



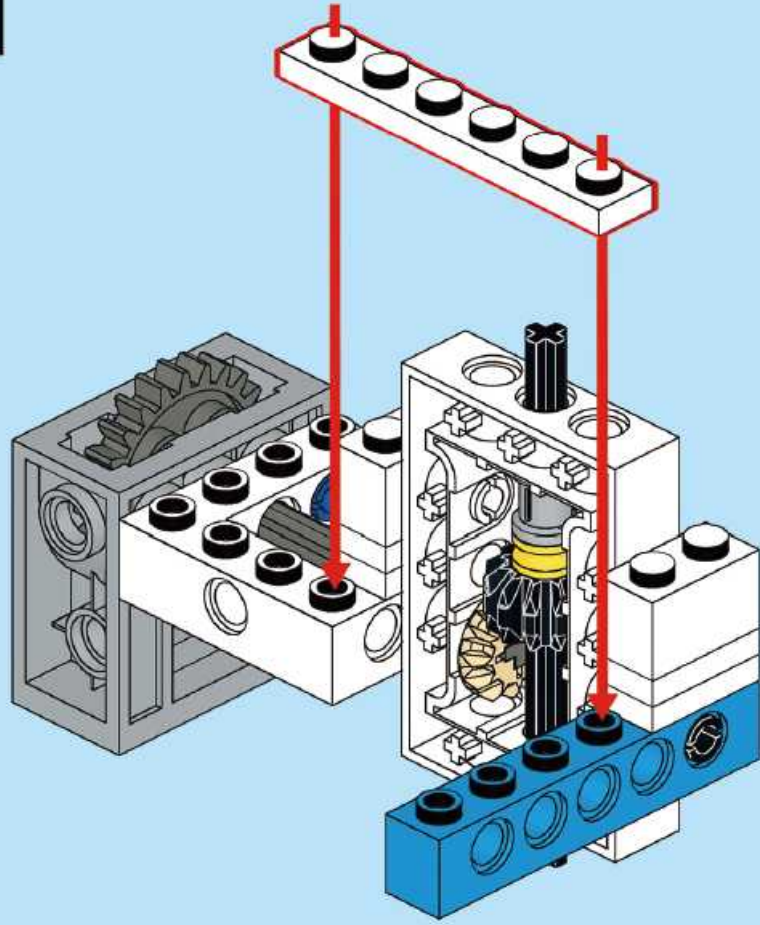
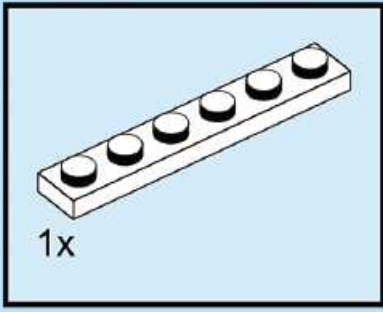
# 27



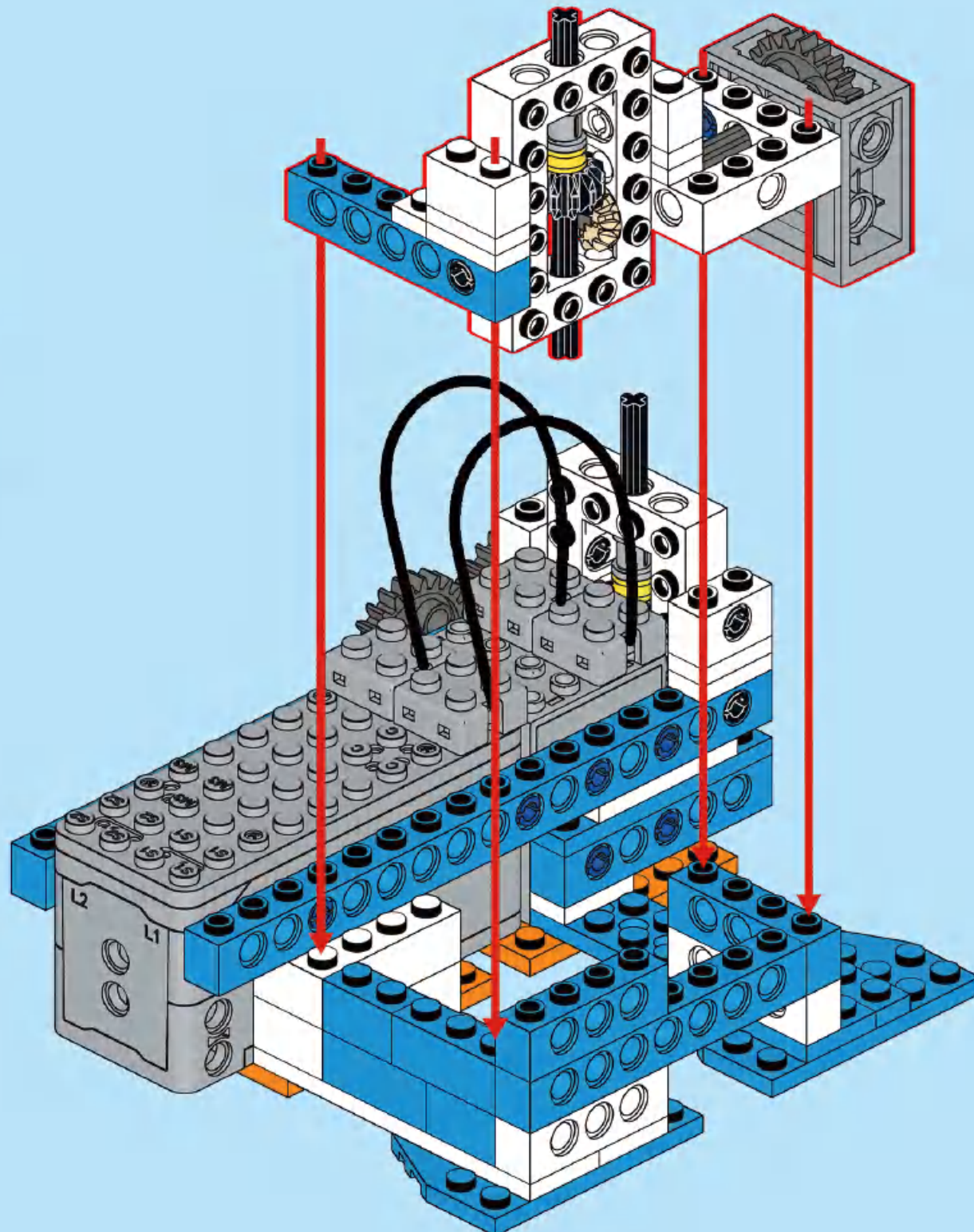
# 28



# 29

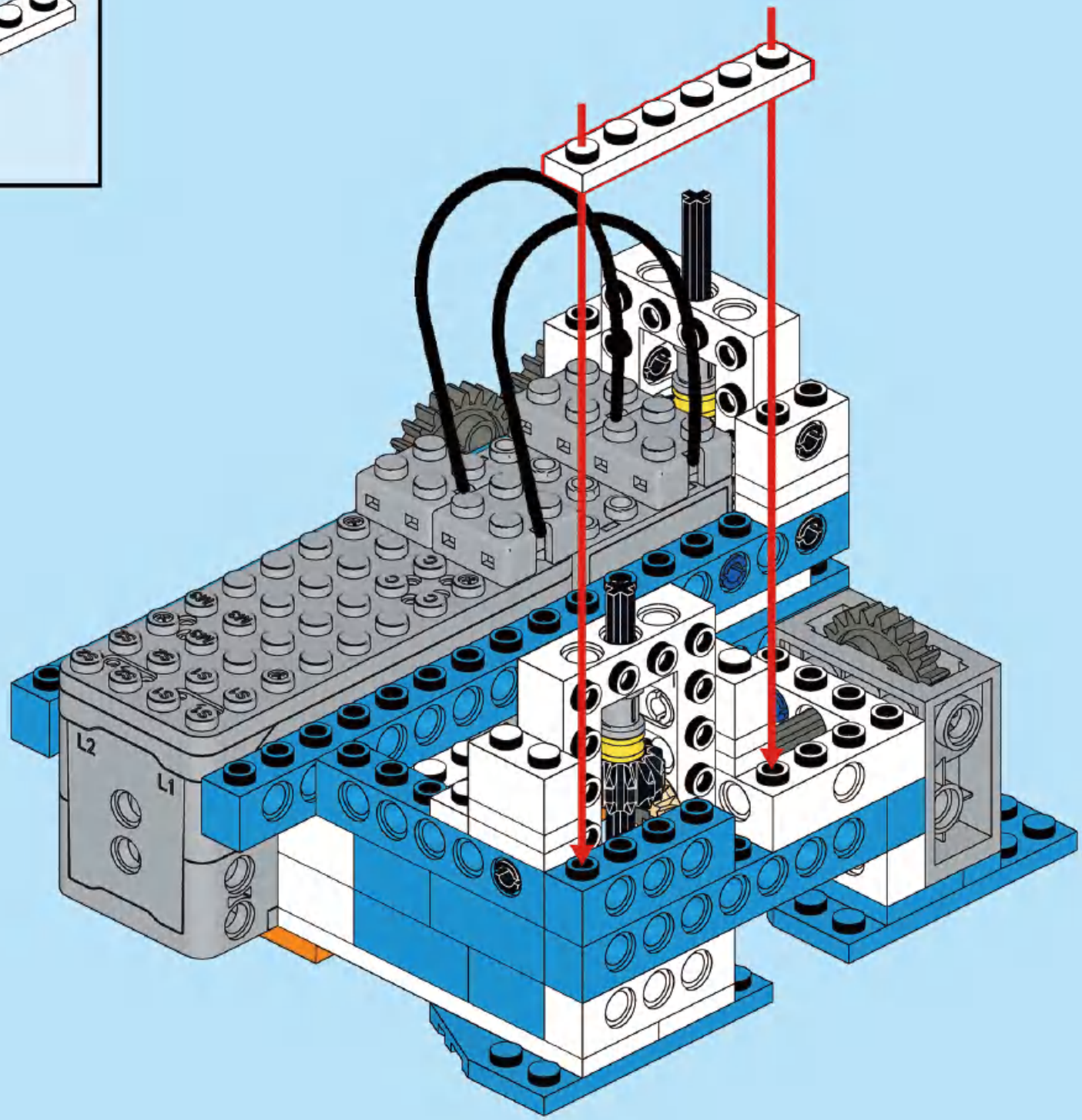
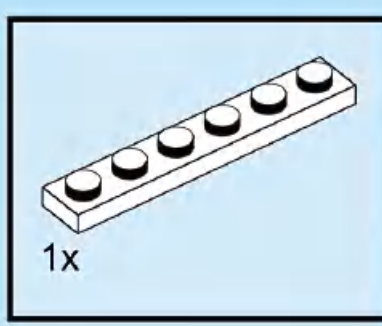


# 30

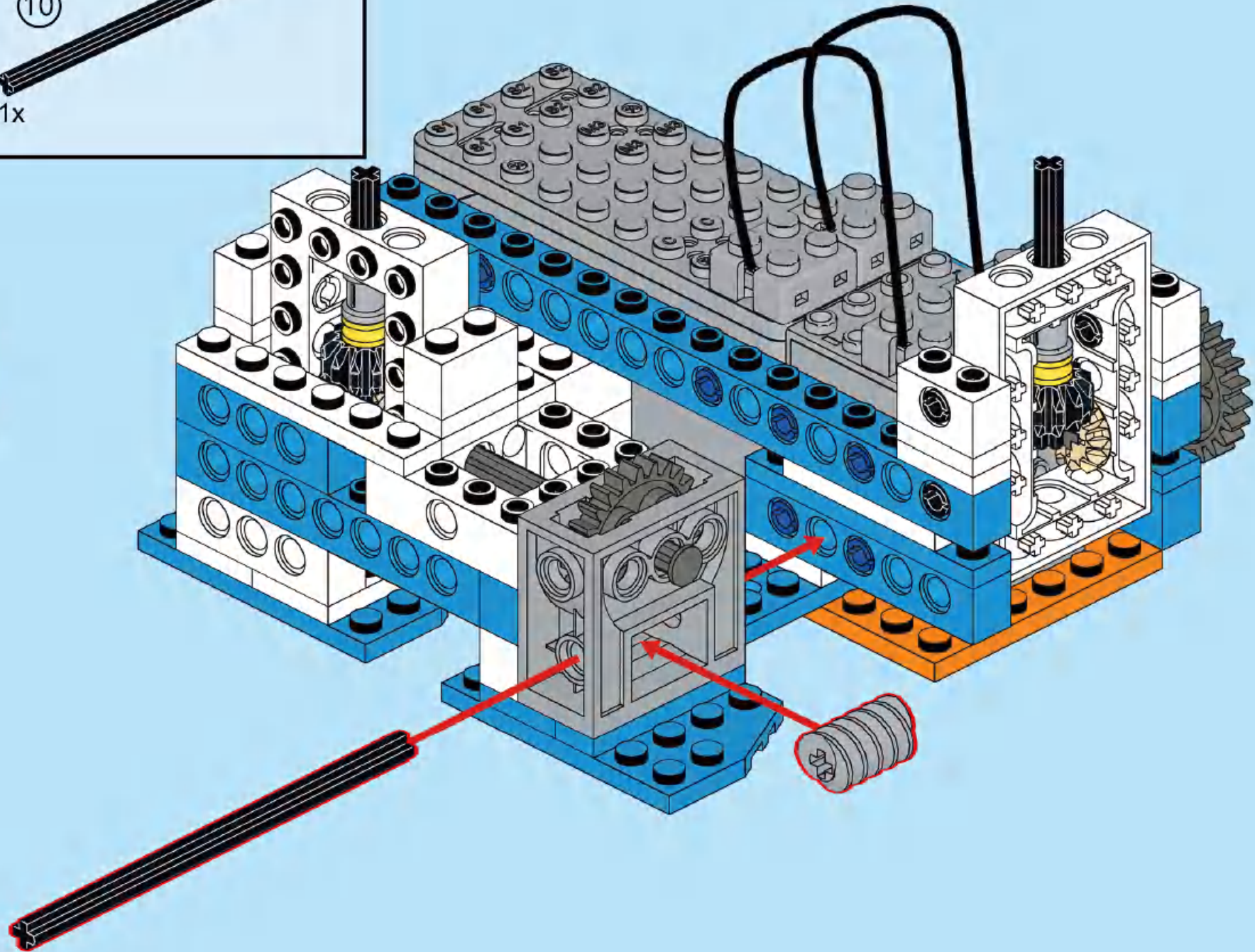
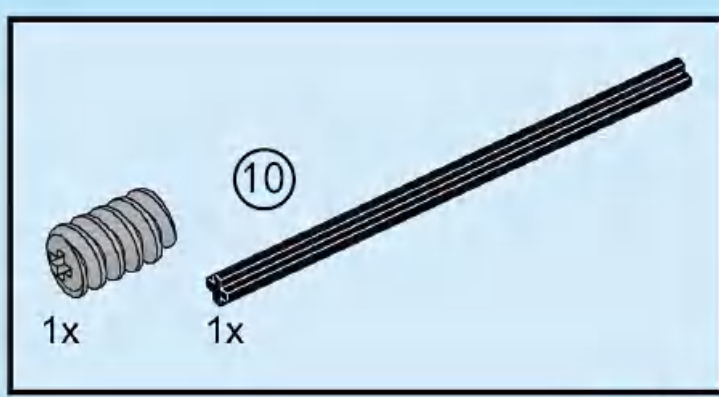




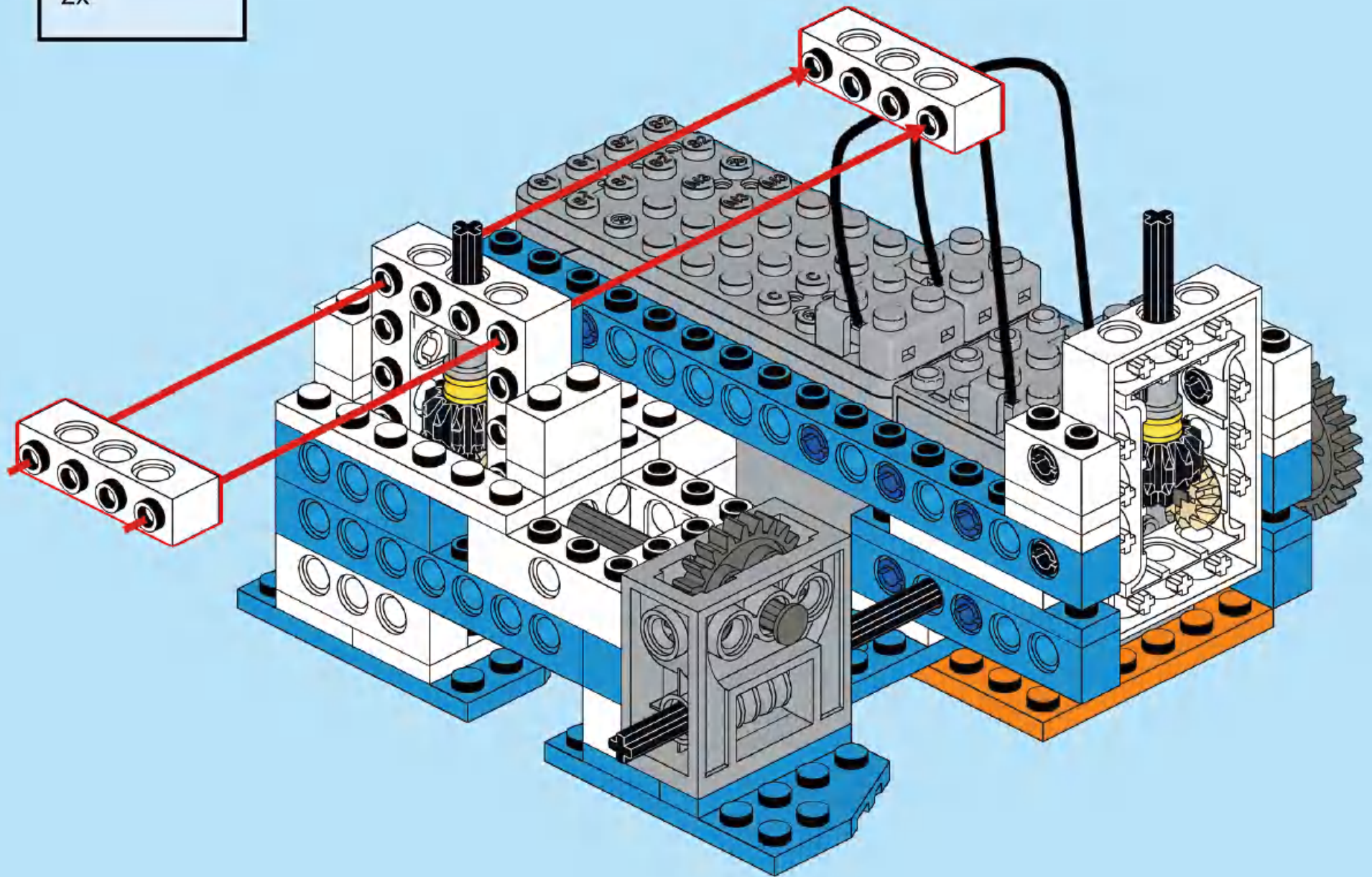
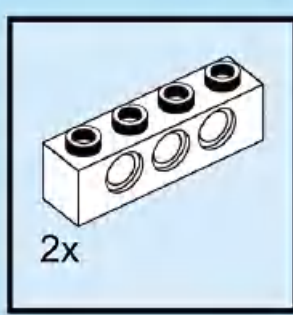
# 31



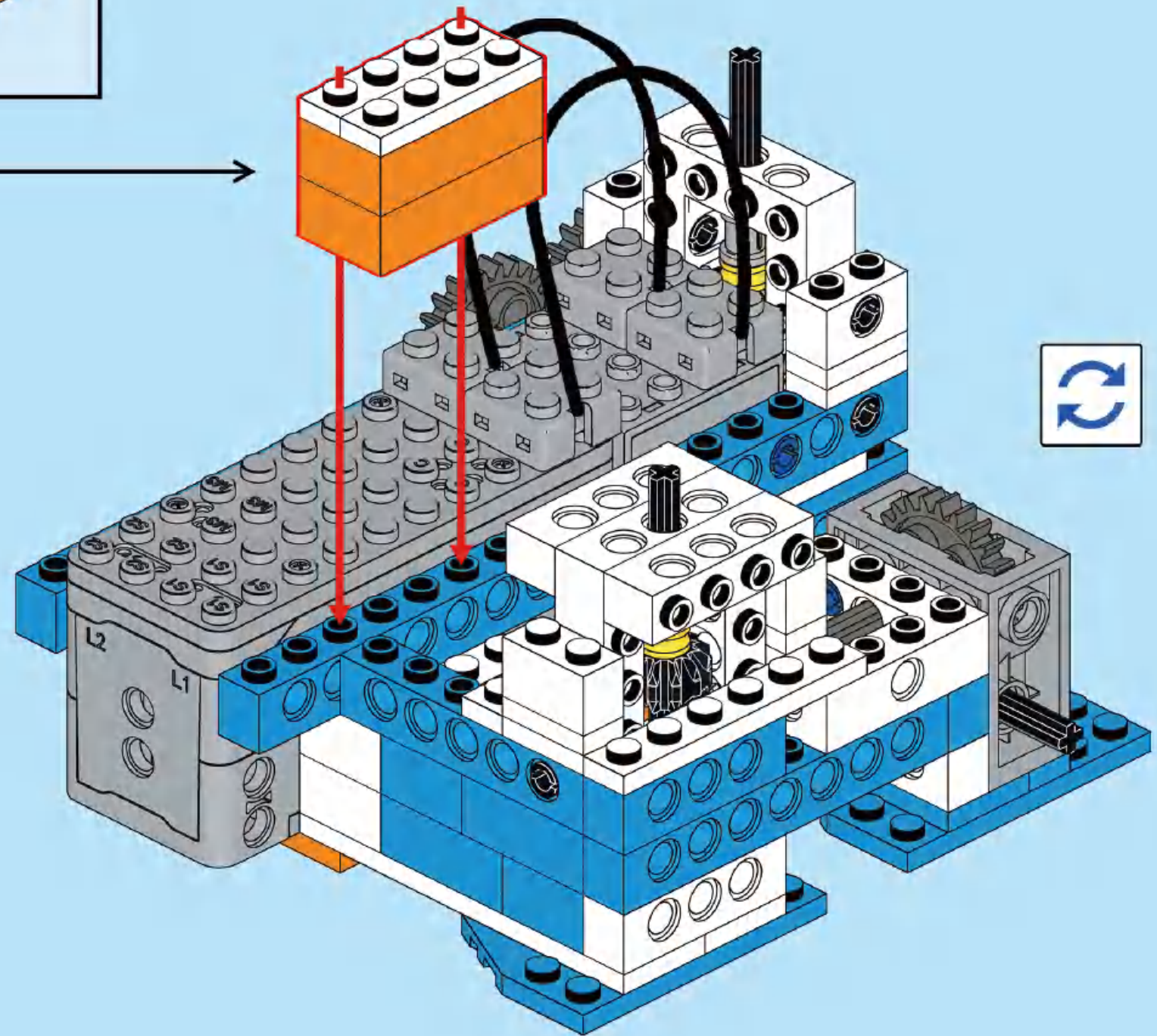
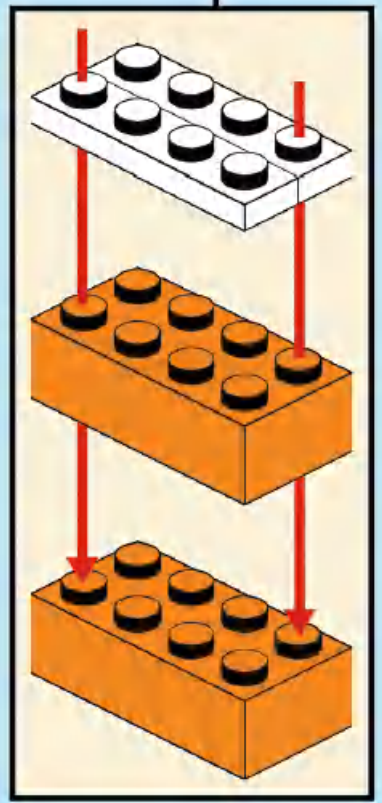
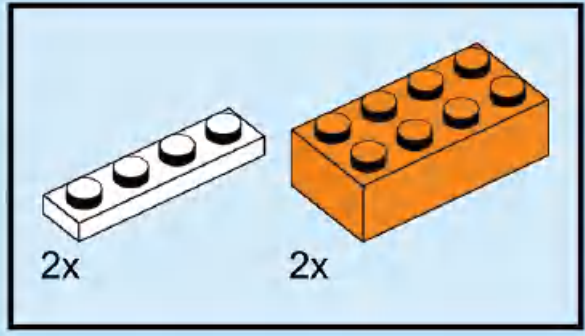
# 32



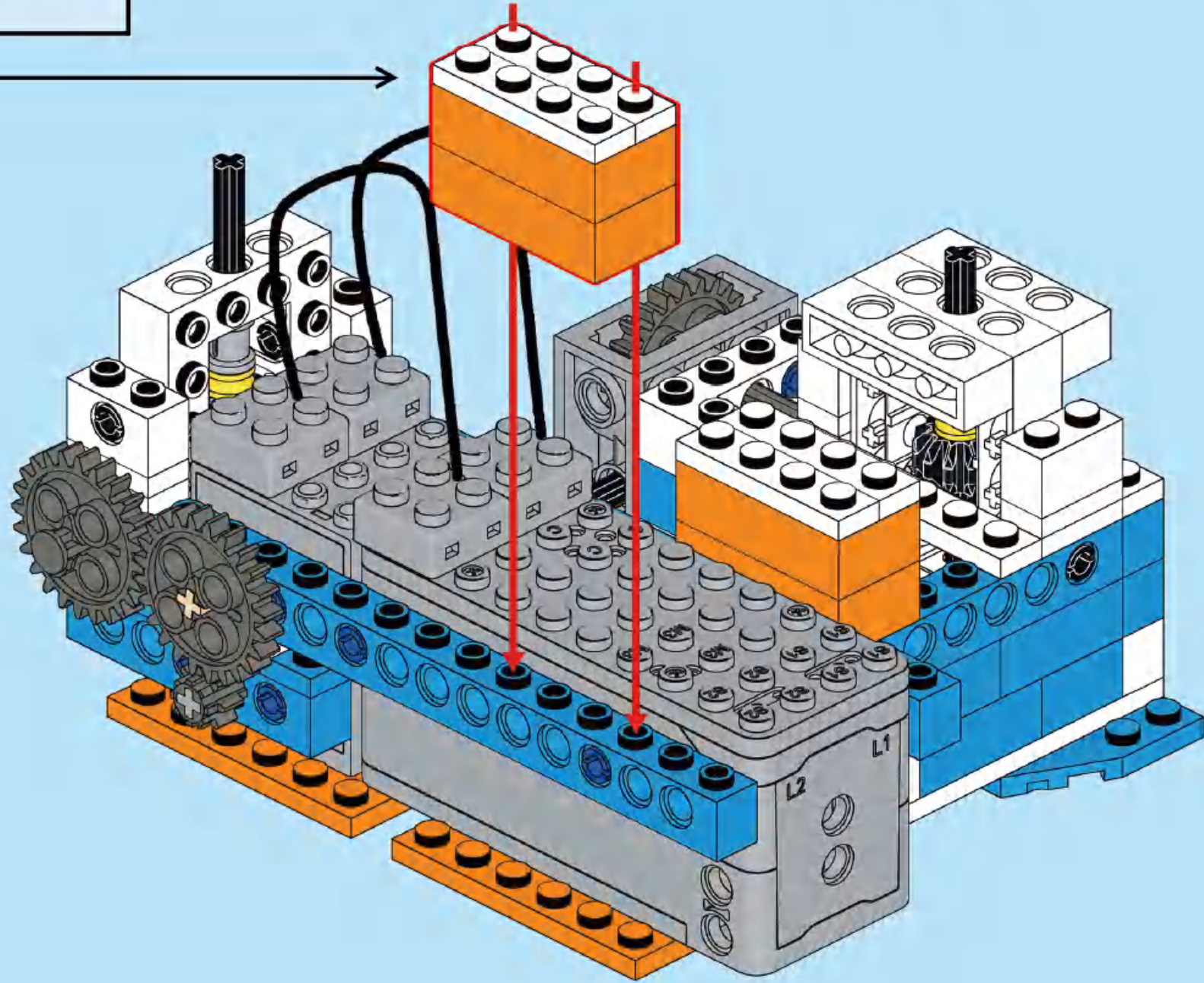
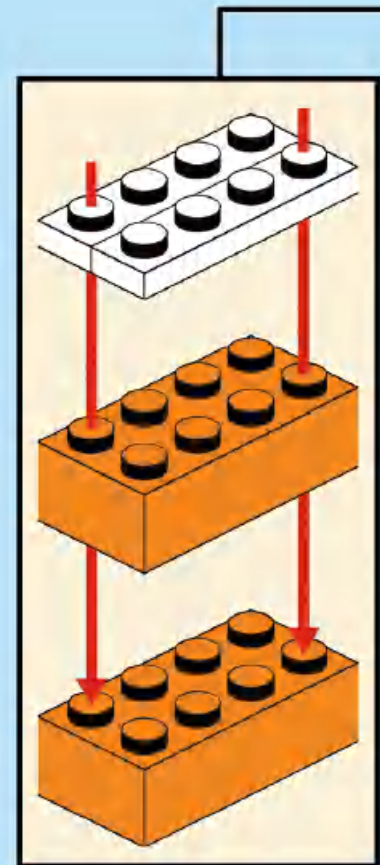
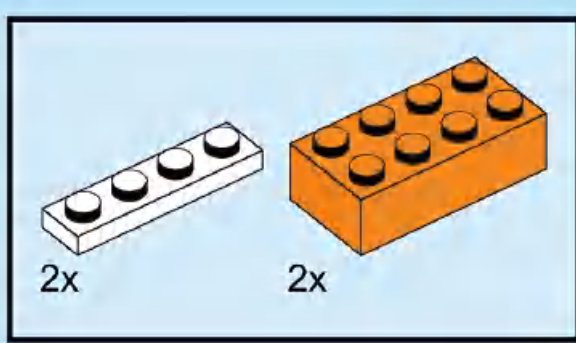
# 33



# 34

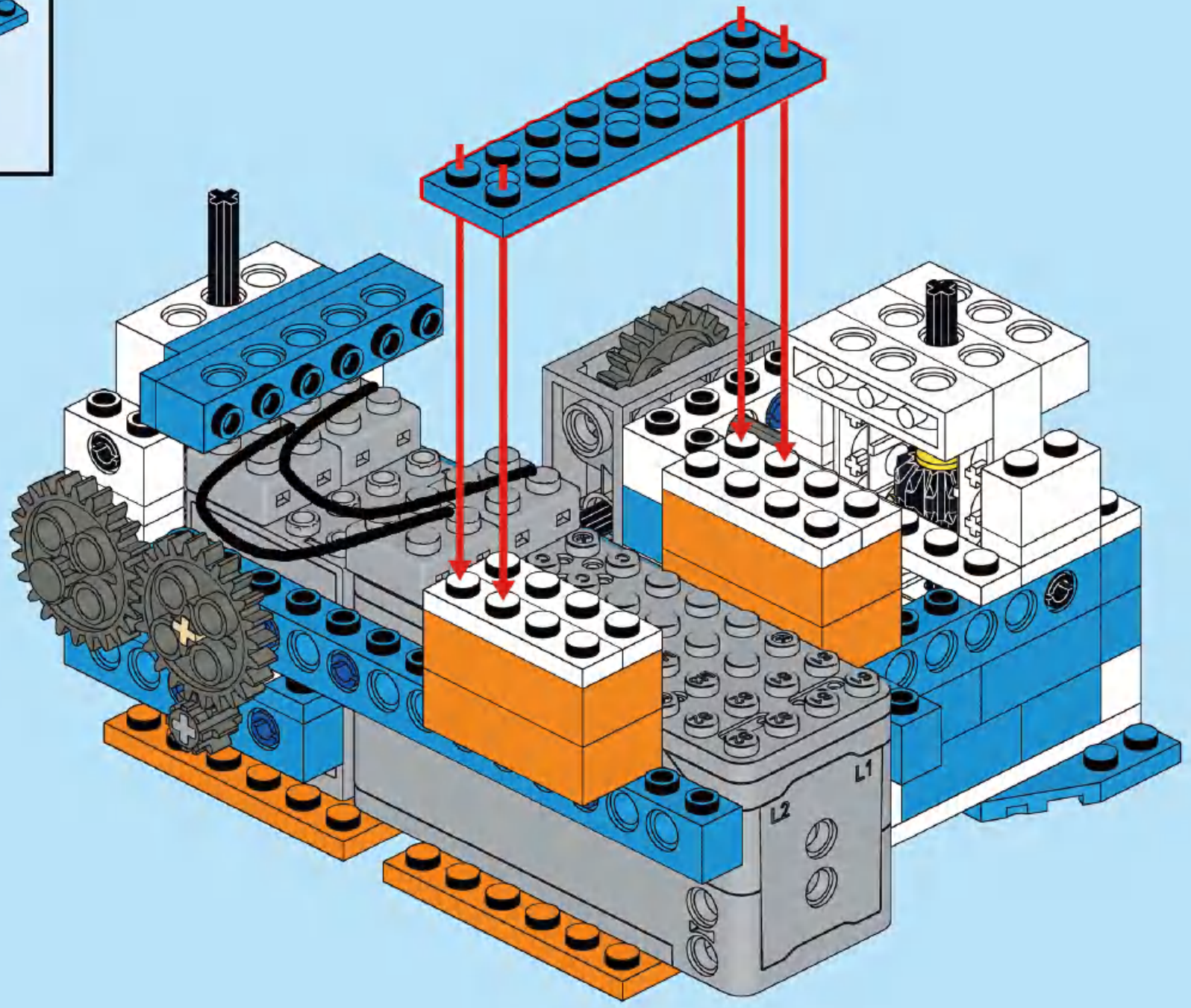
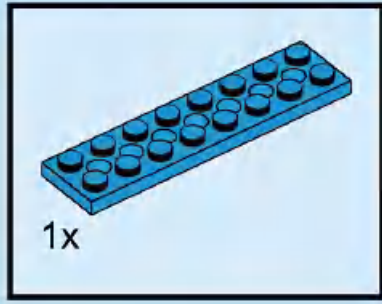


# 35

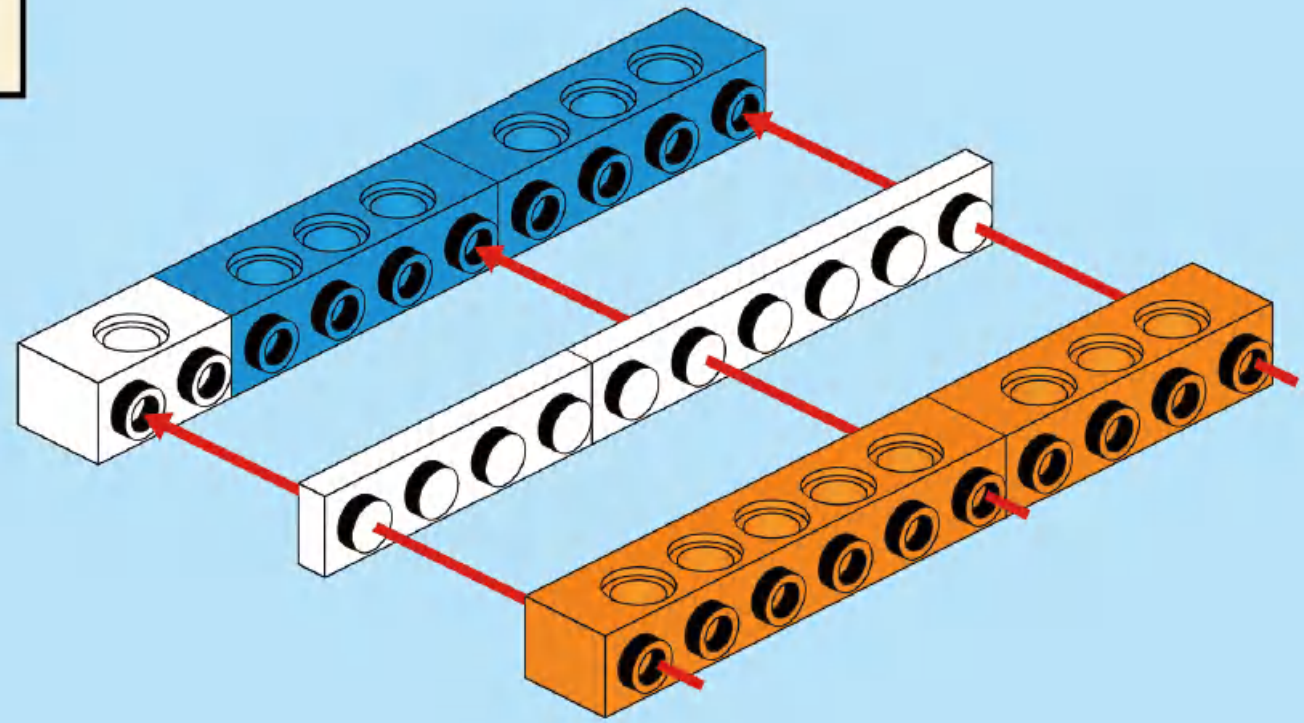
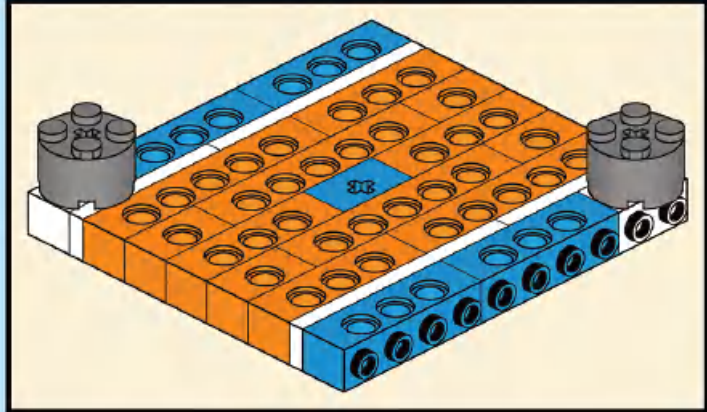
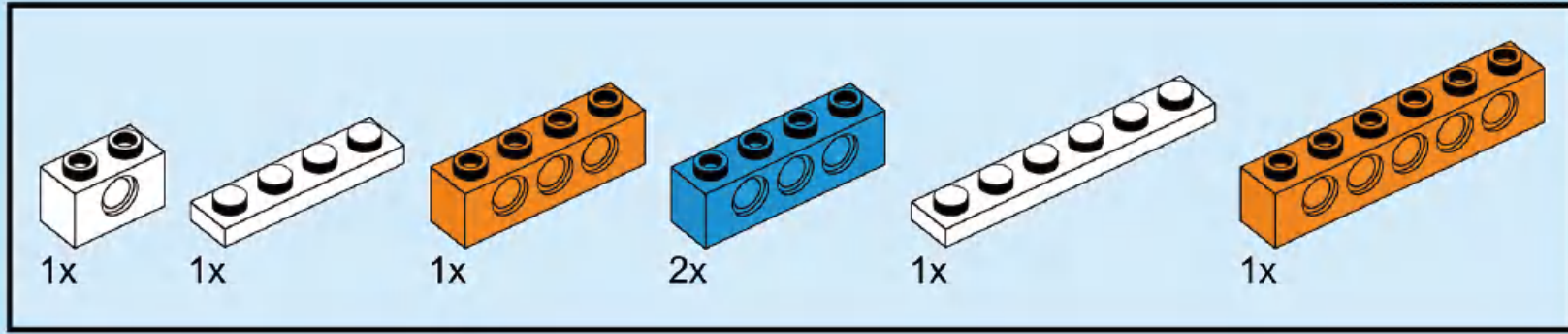




# 37

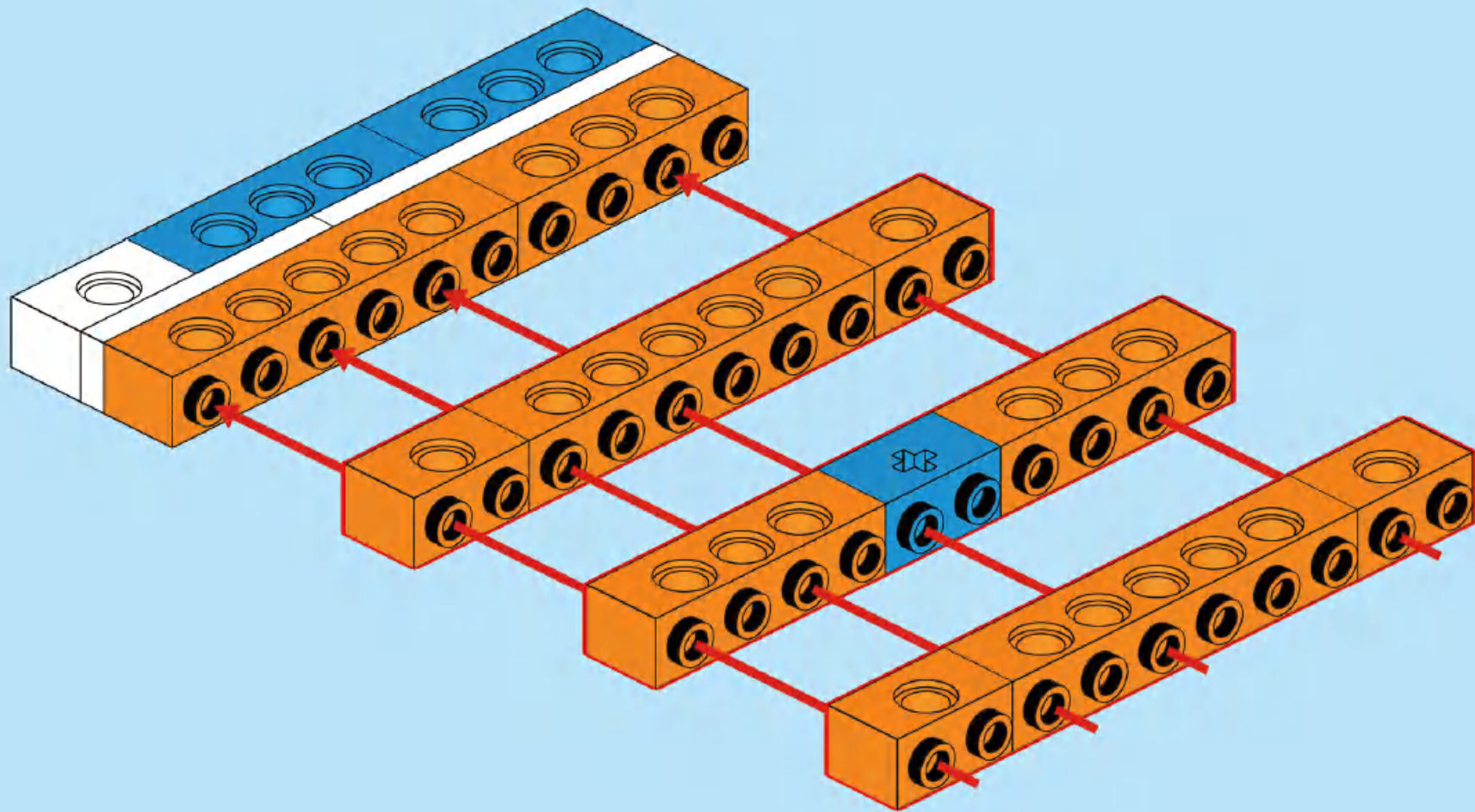
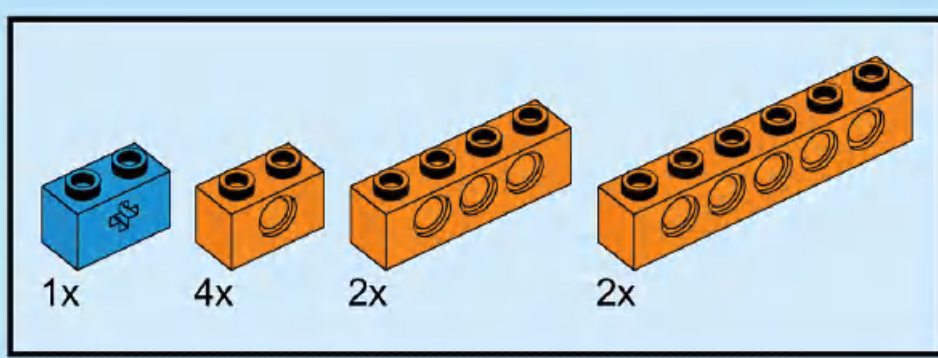


# 38

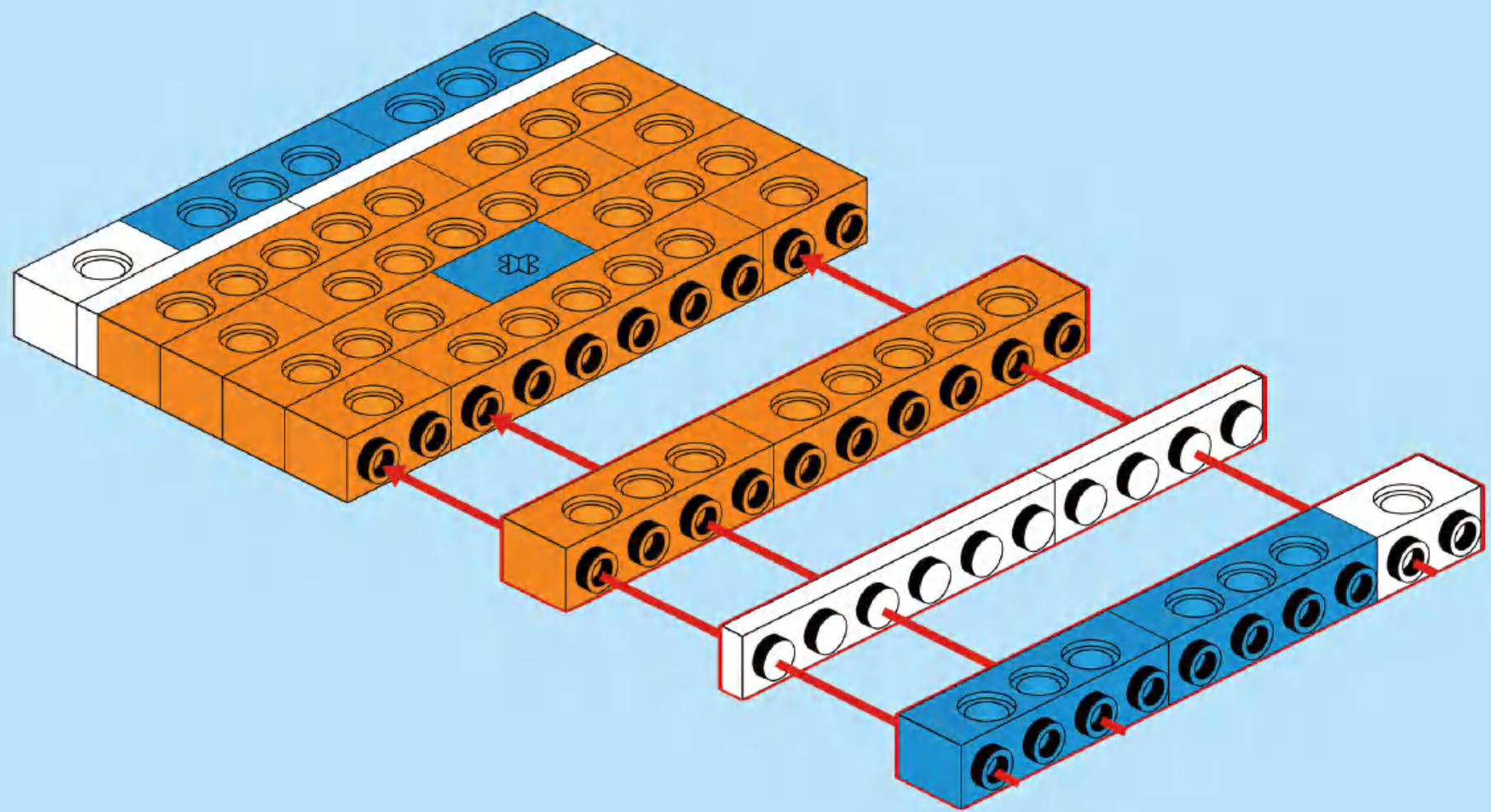
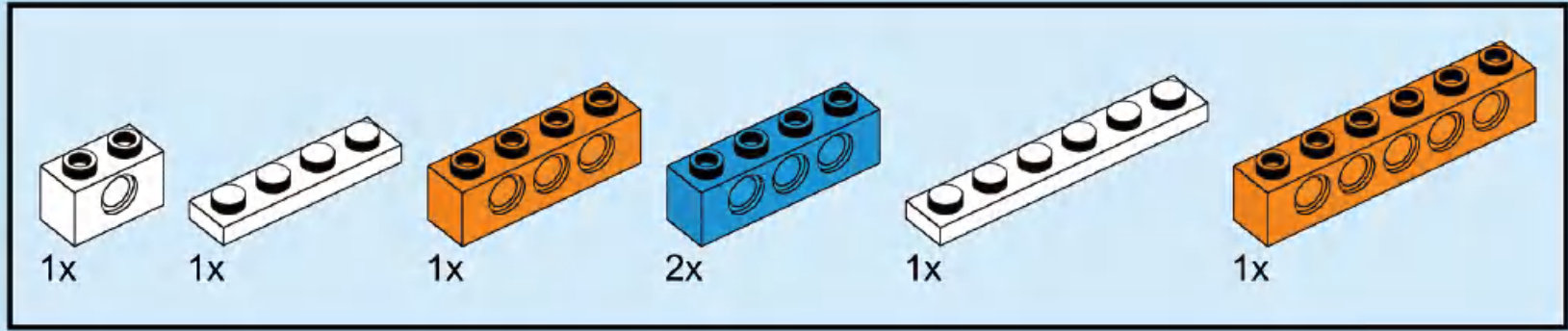




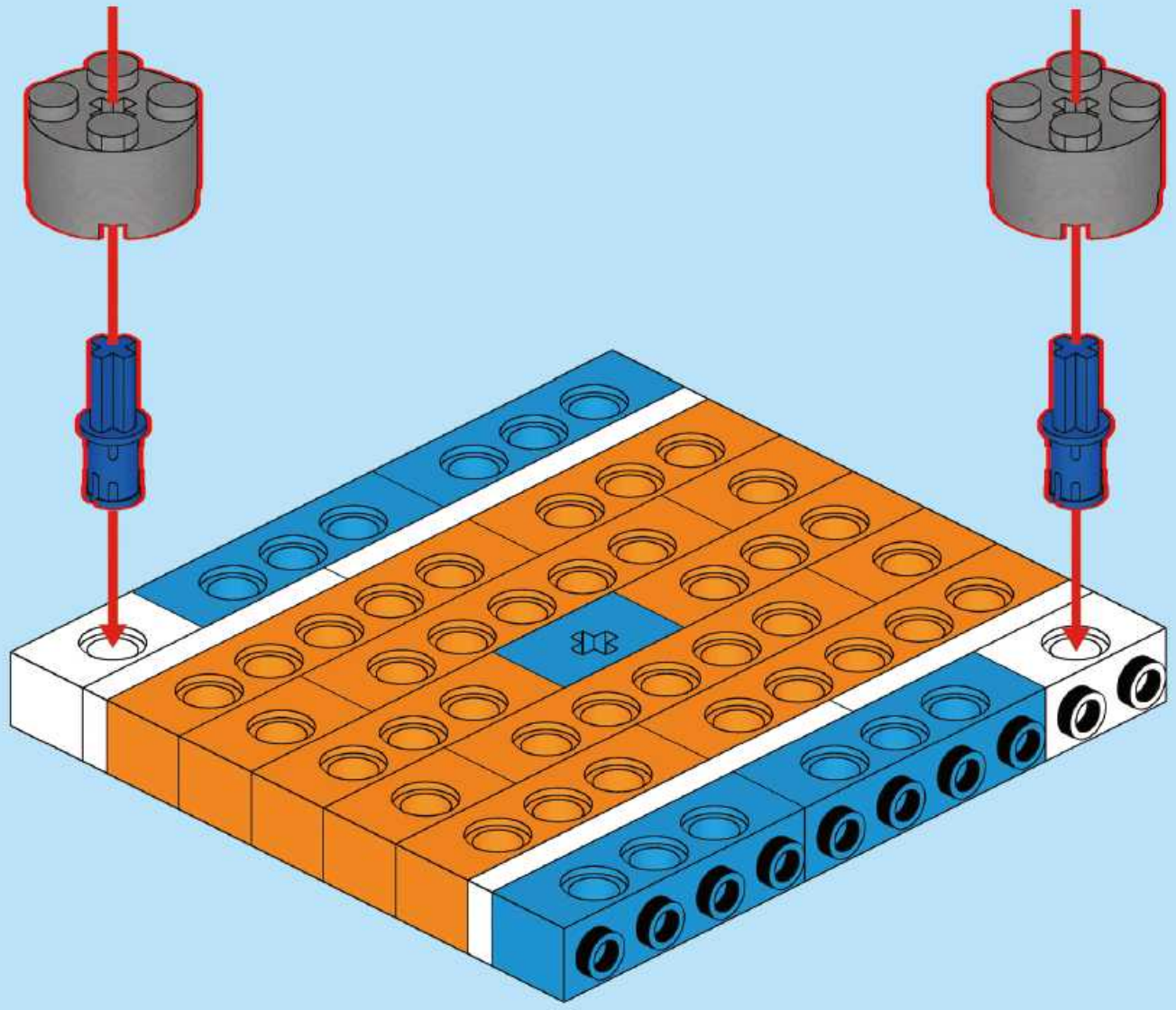
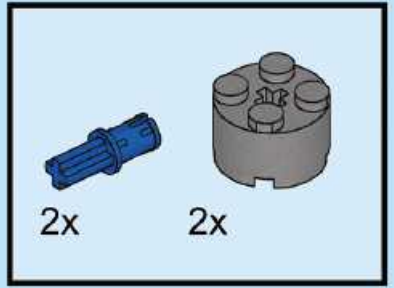
# 39



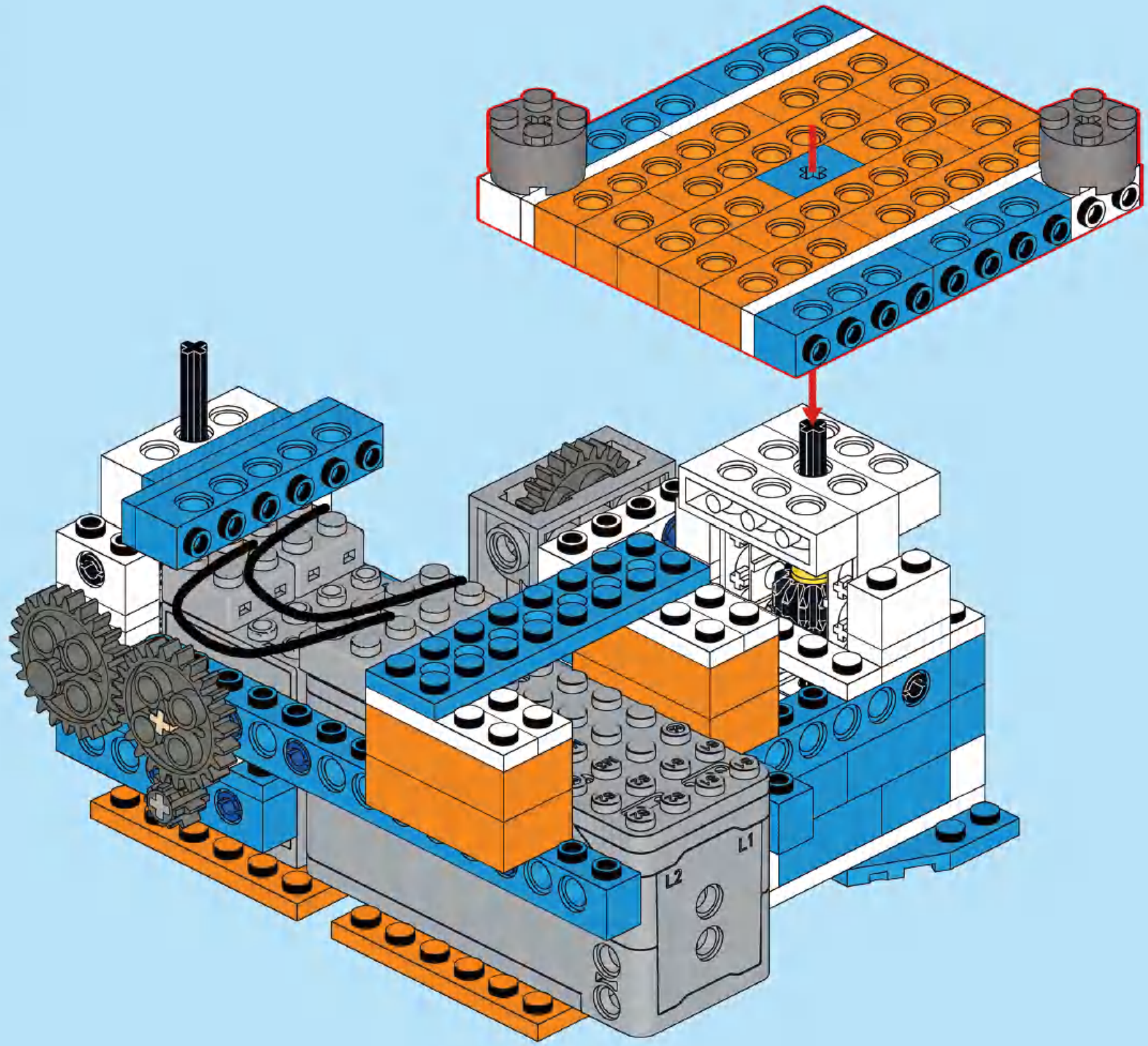
# 40



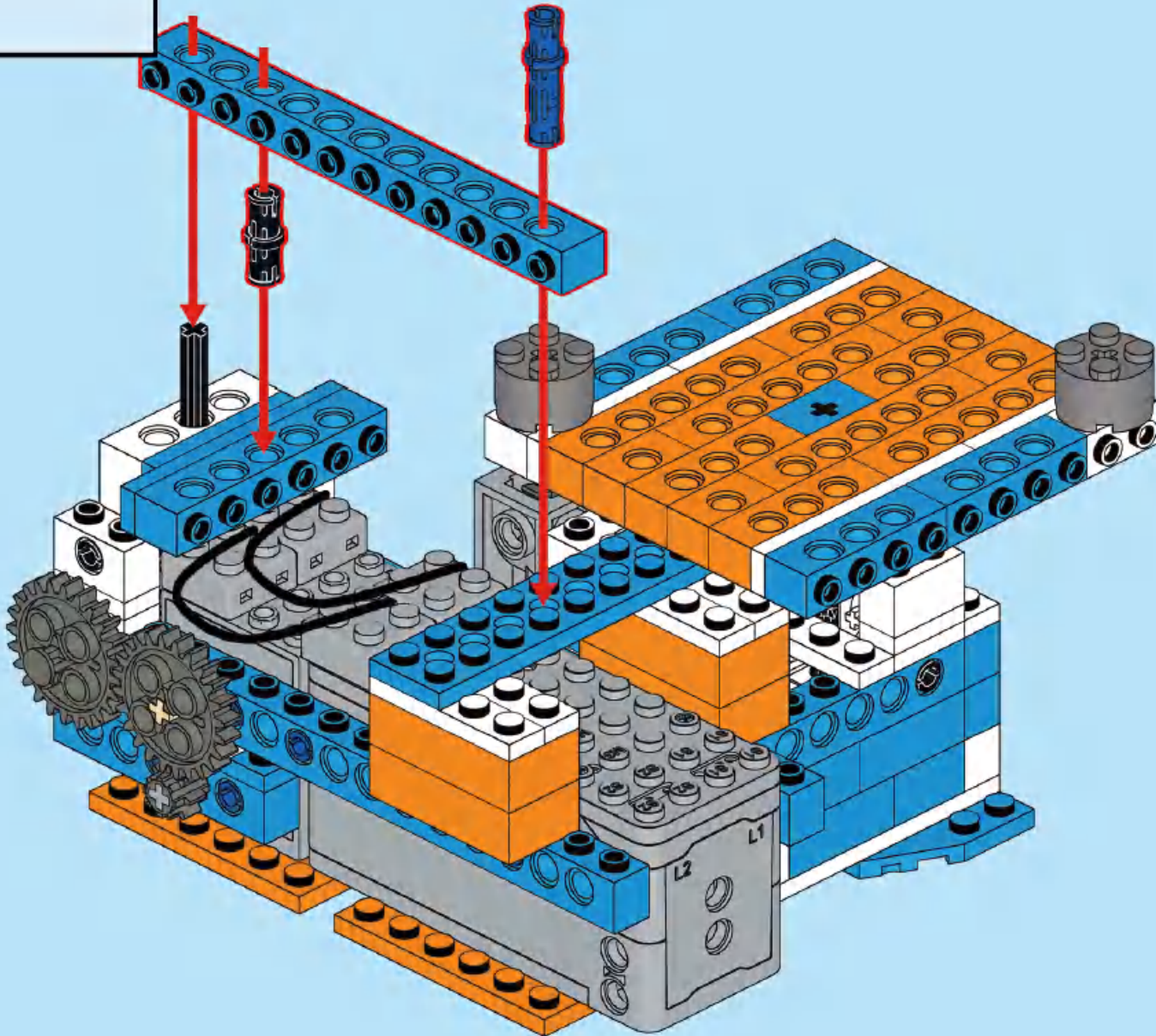
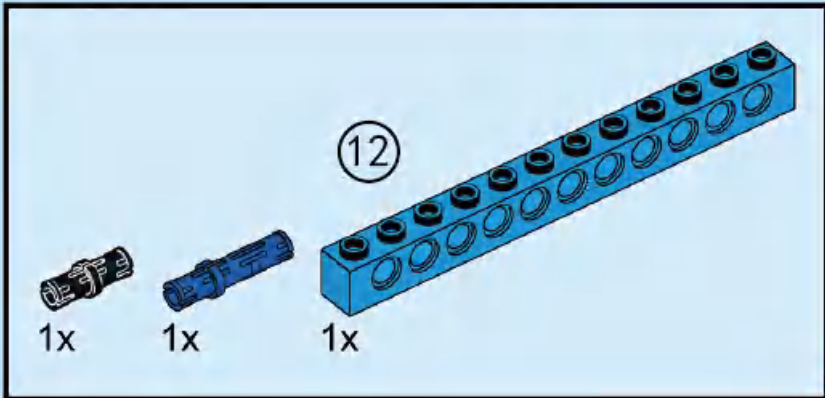
# 41



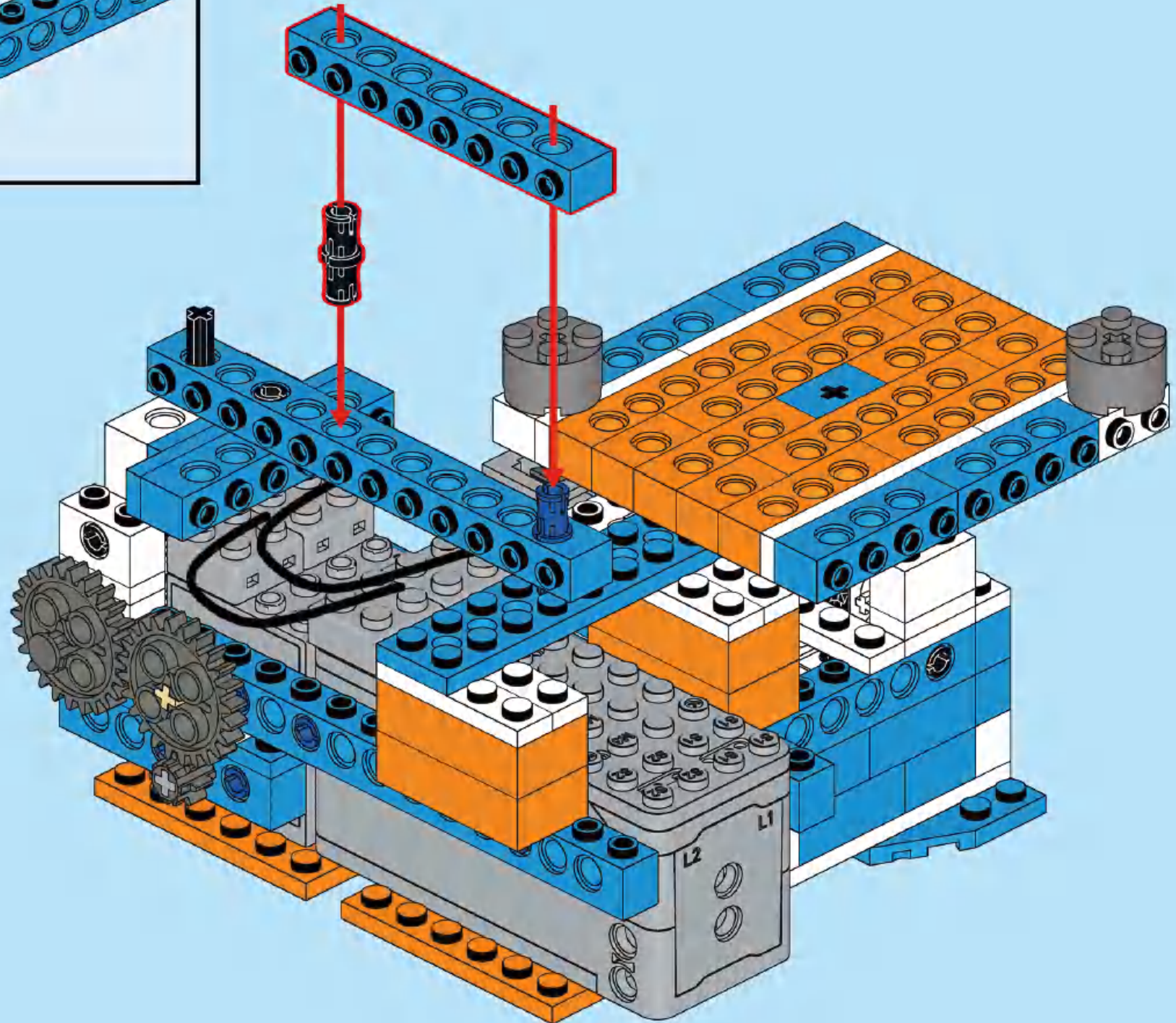
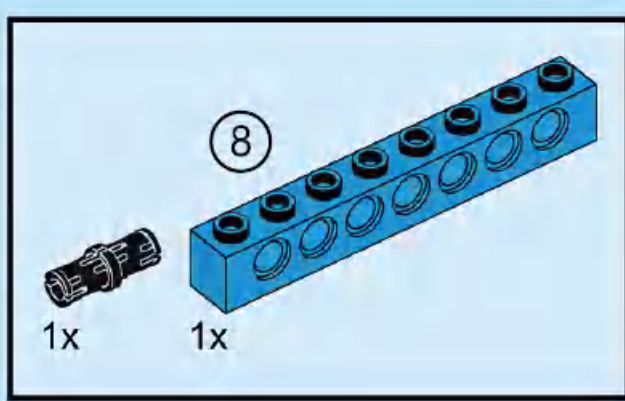
# 42



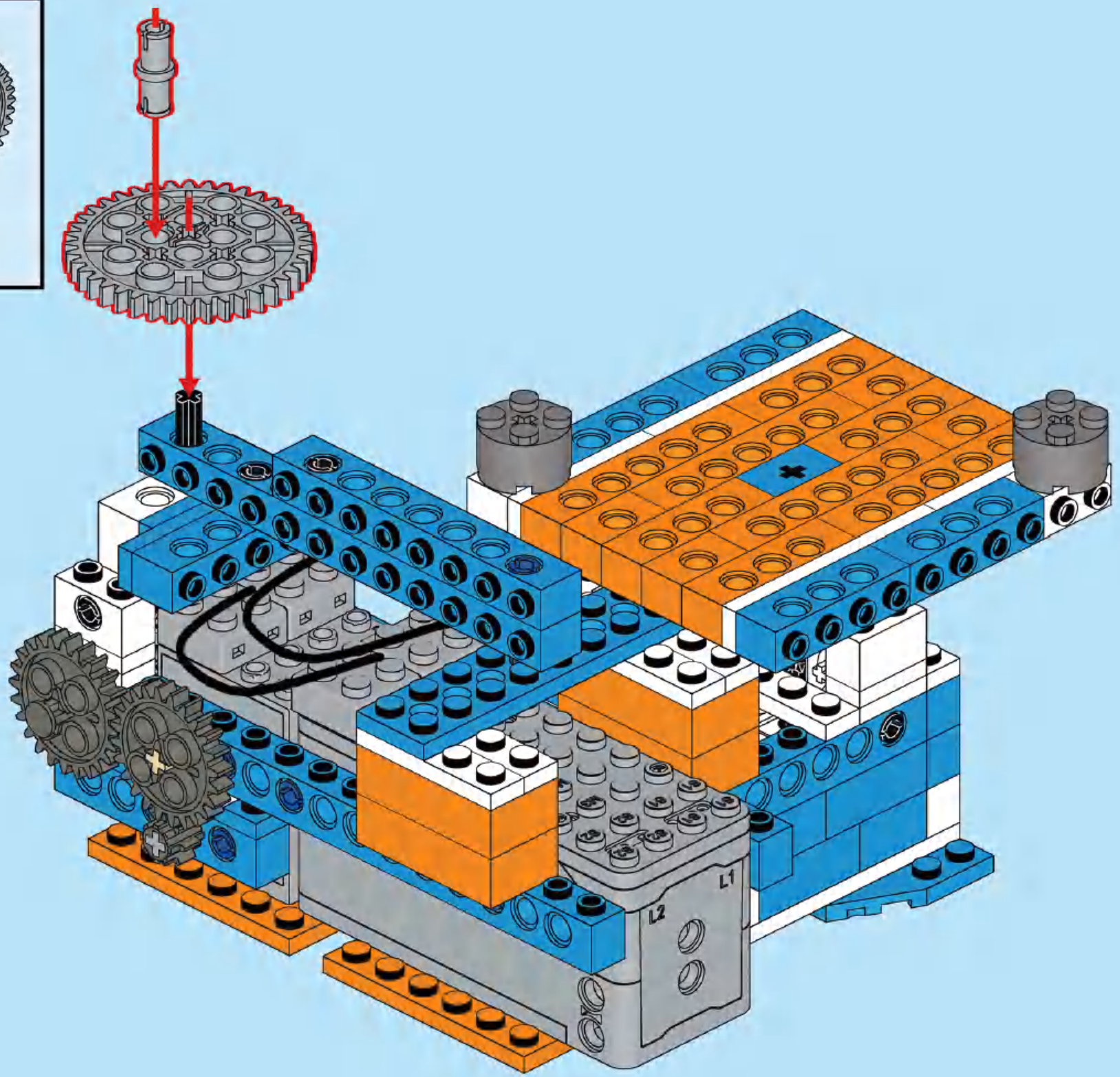
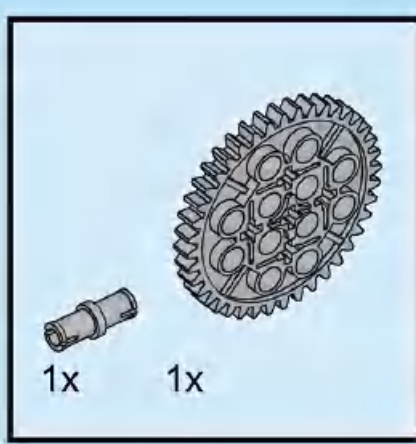
# 43



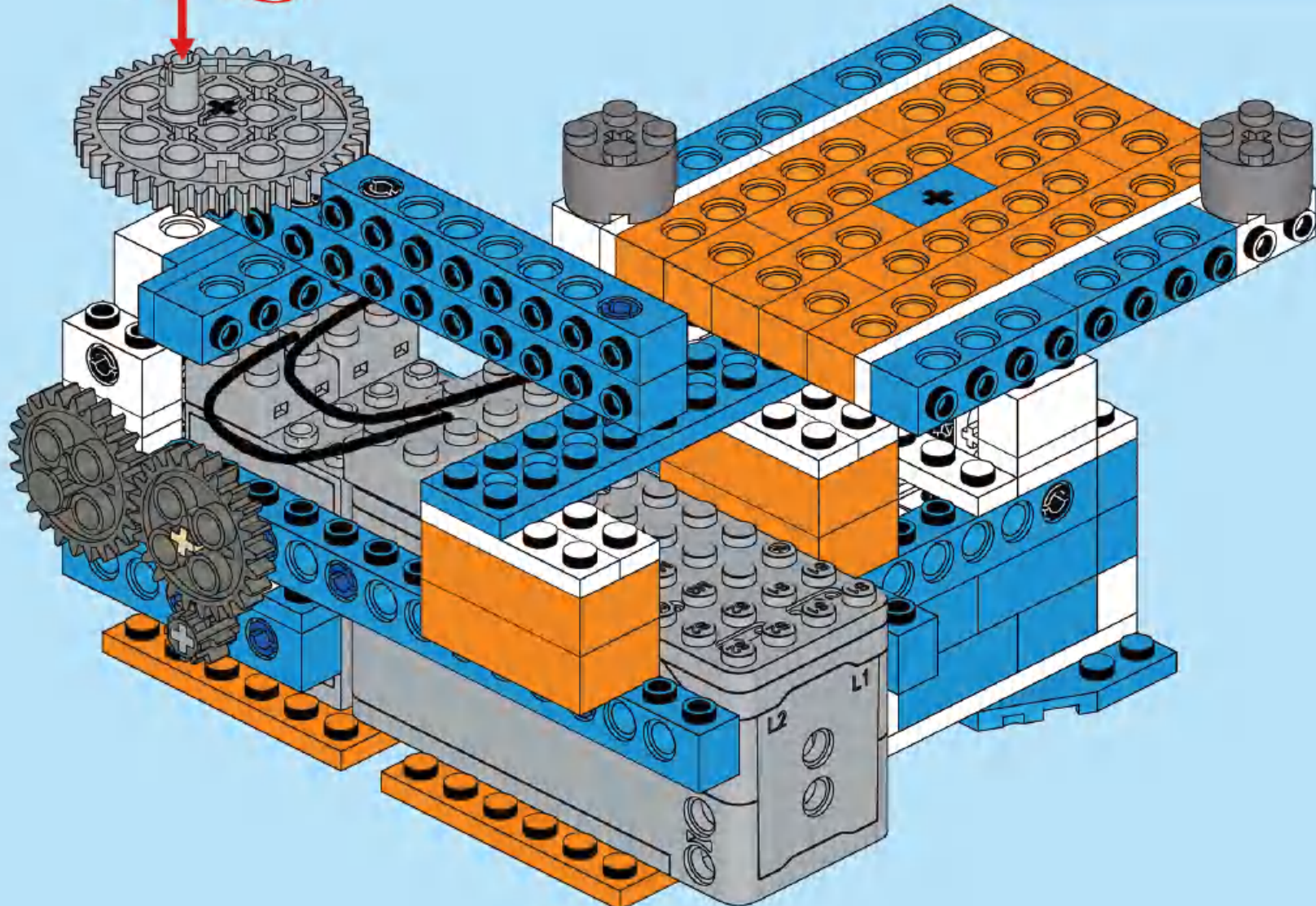
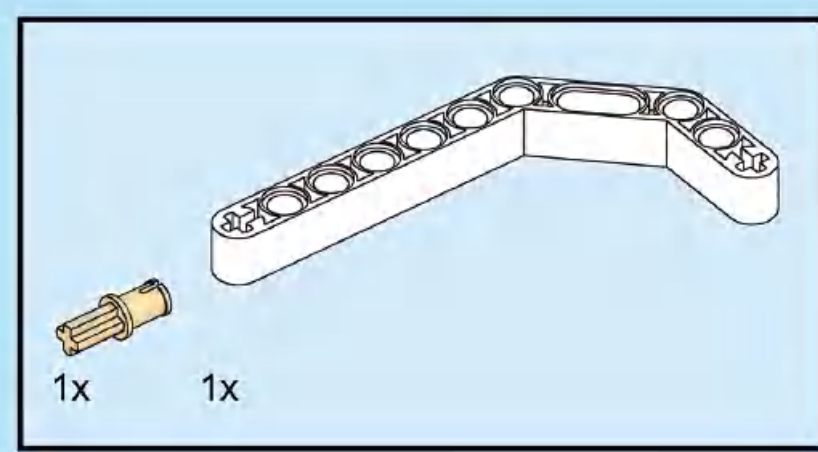
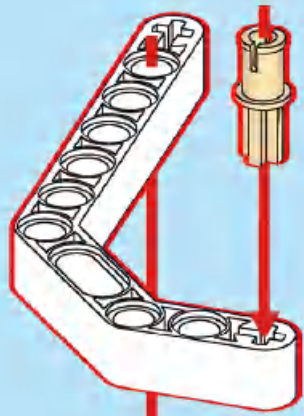
# 44



# 45

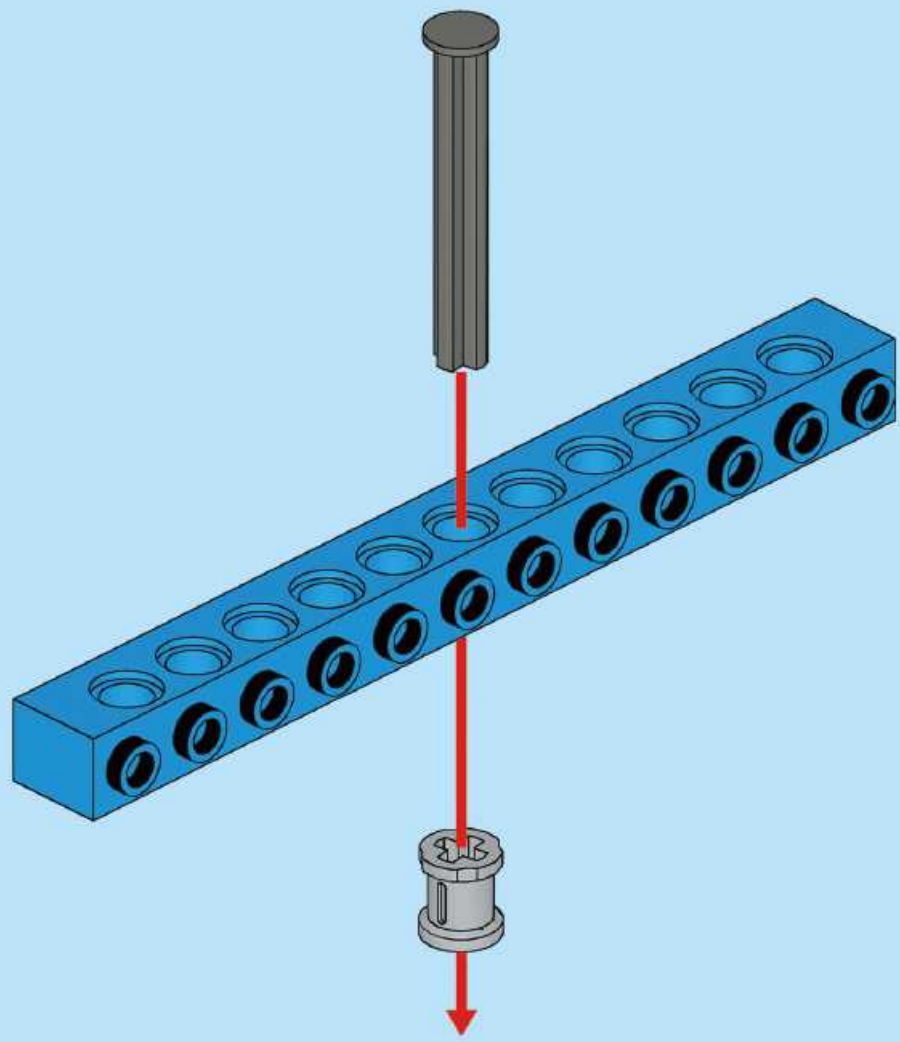
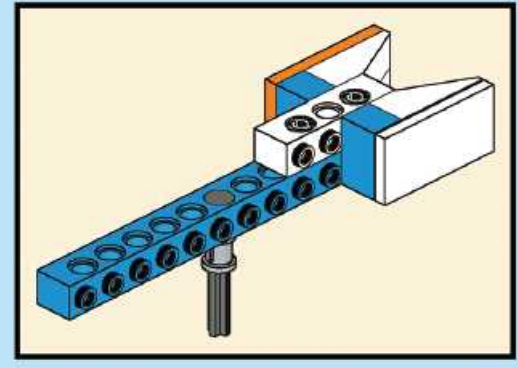
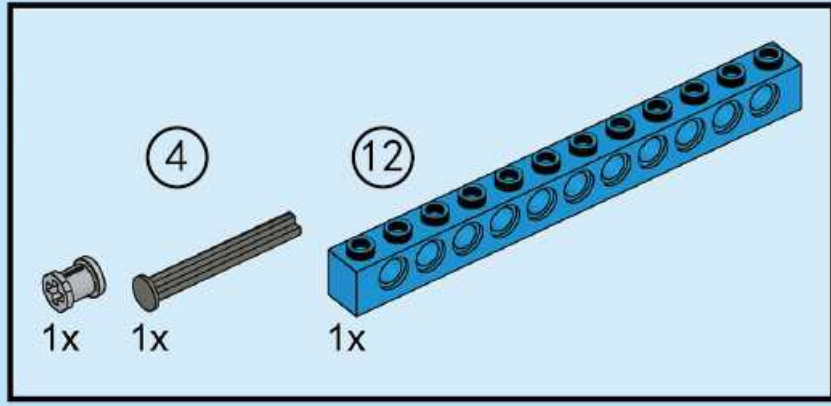


# 46

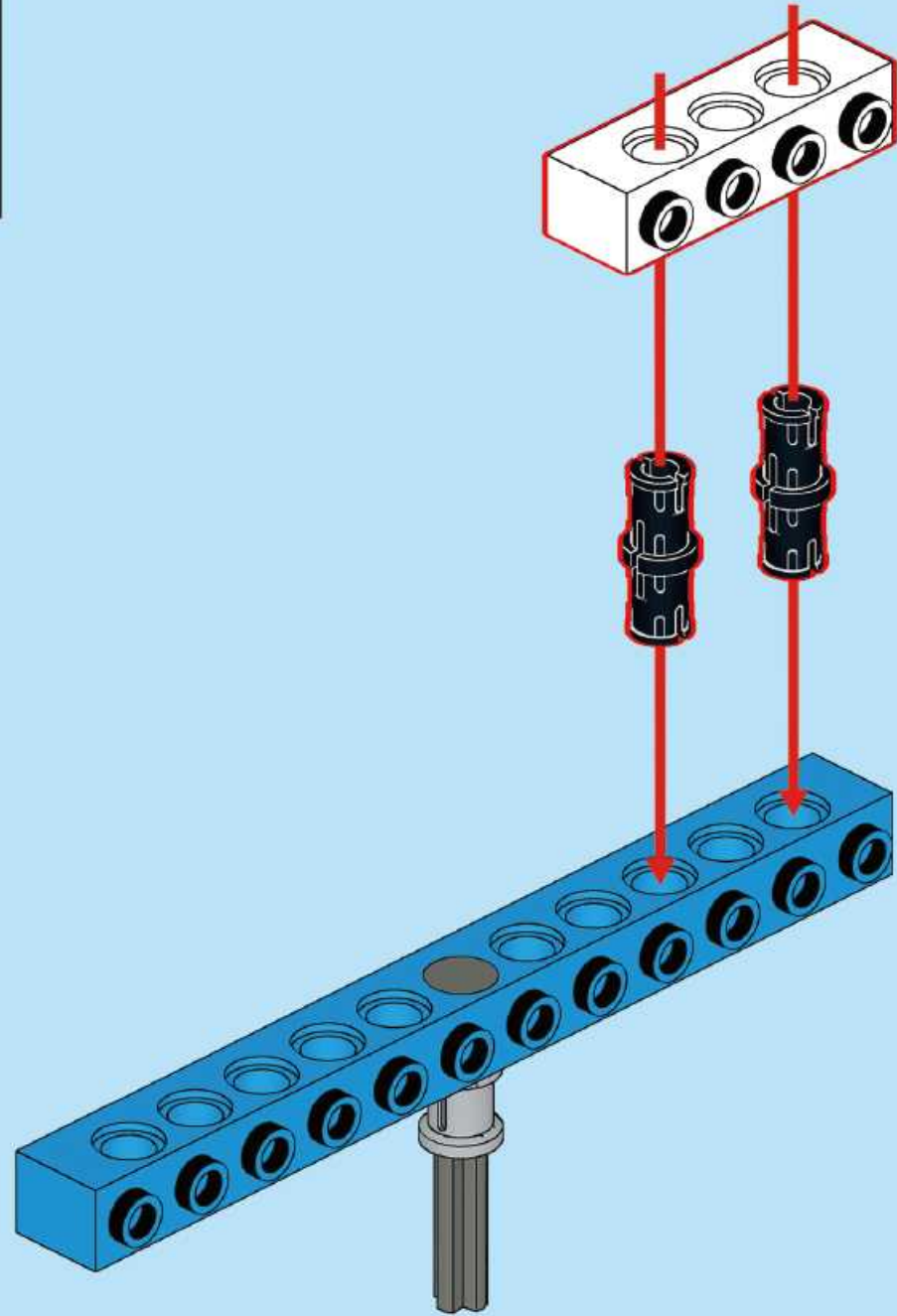
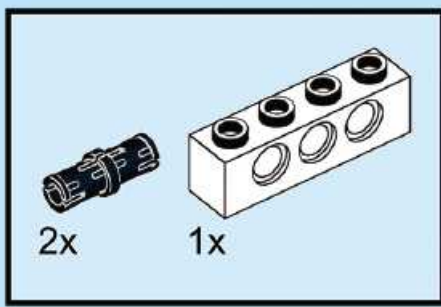




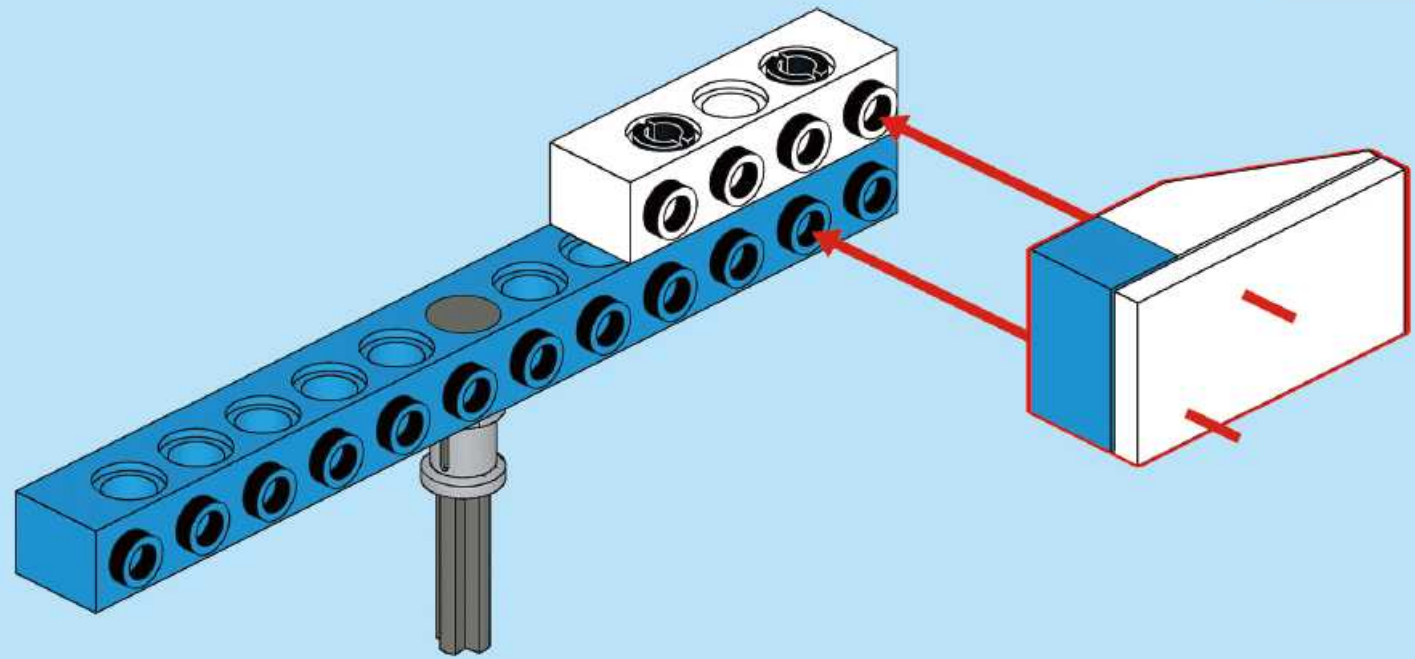
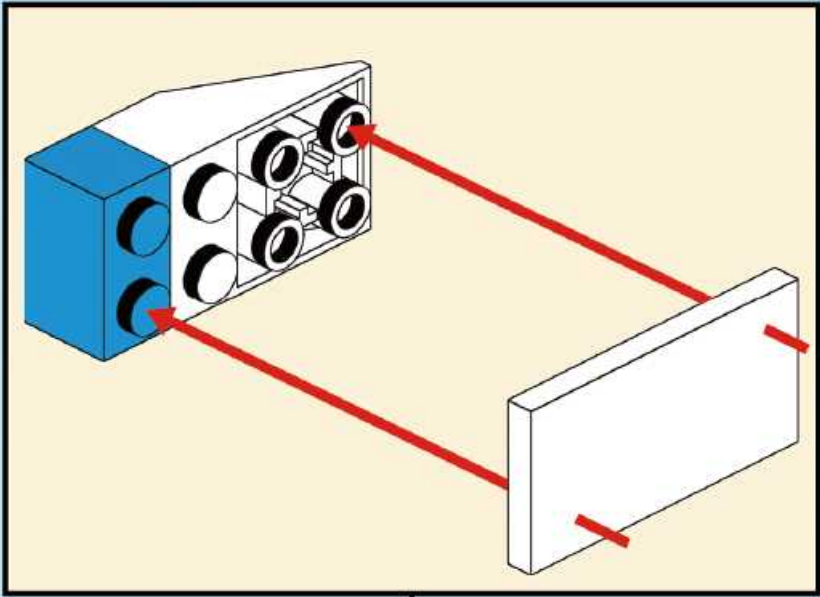
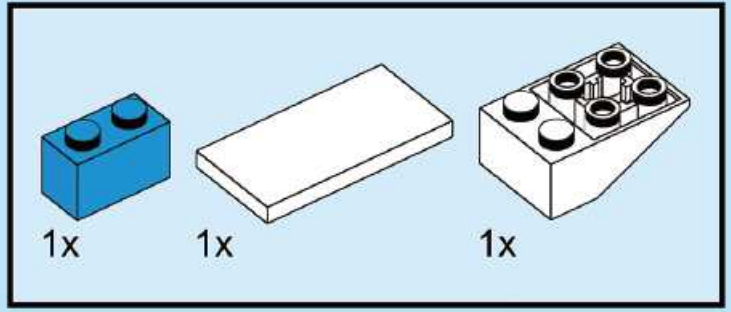
# 47



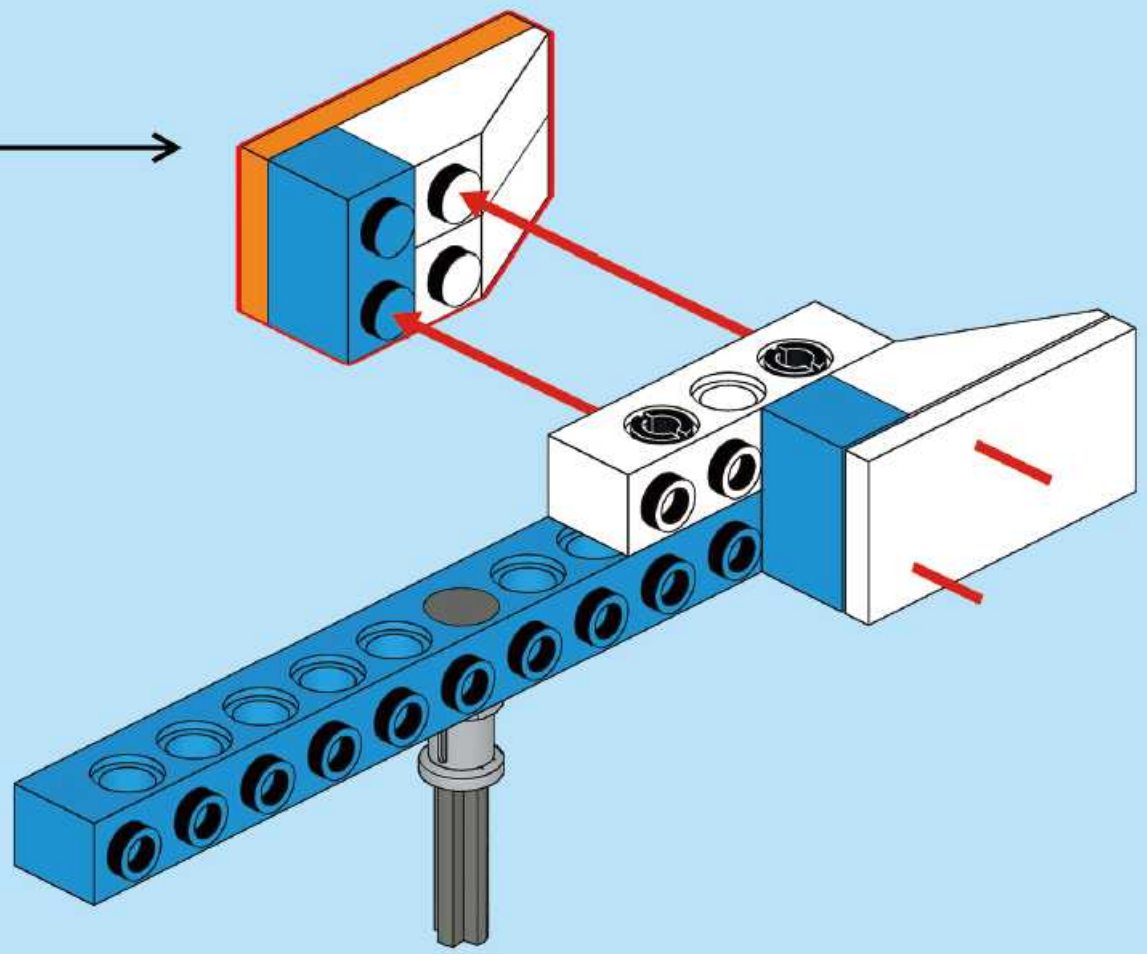
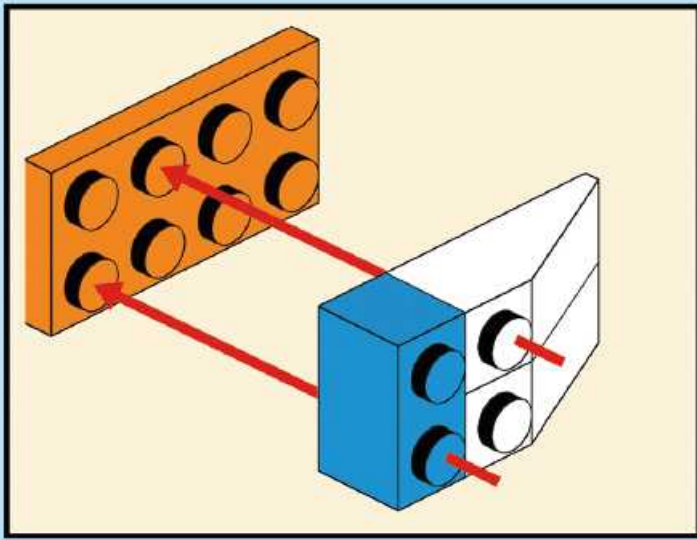
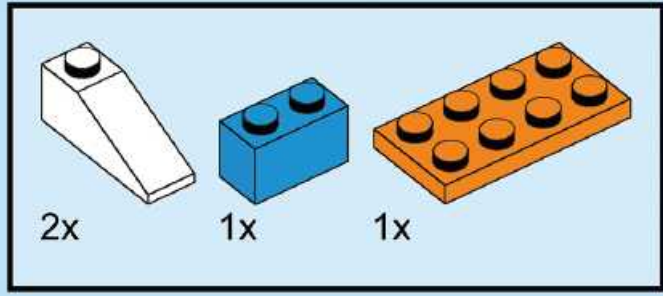
# 48



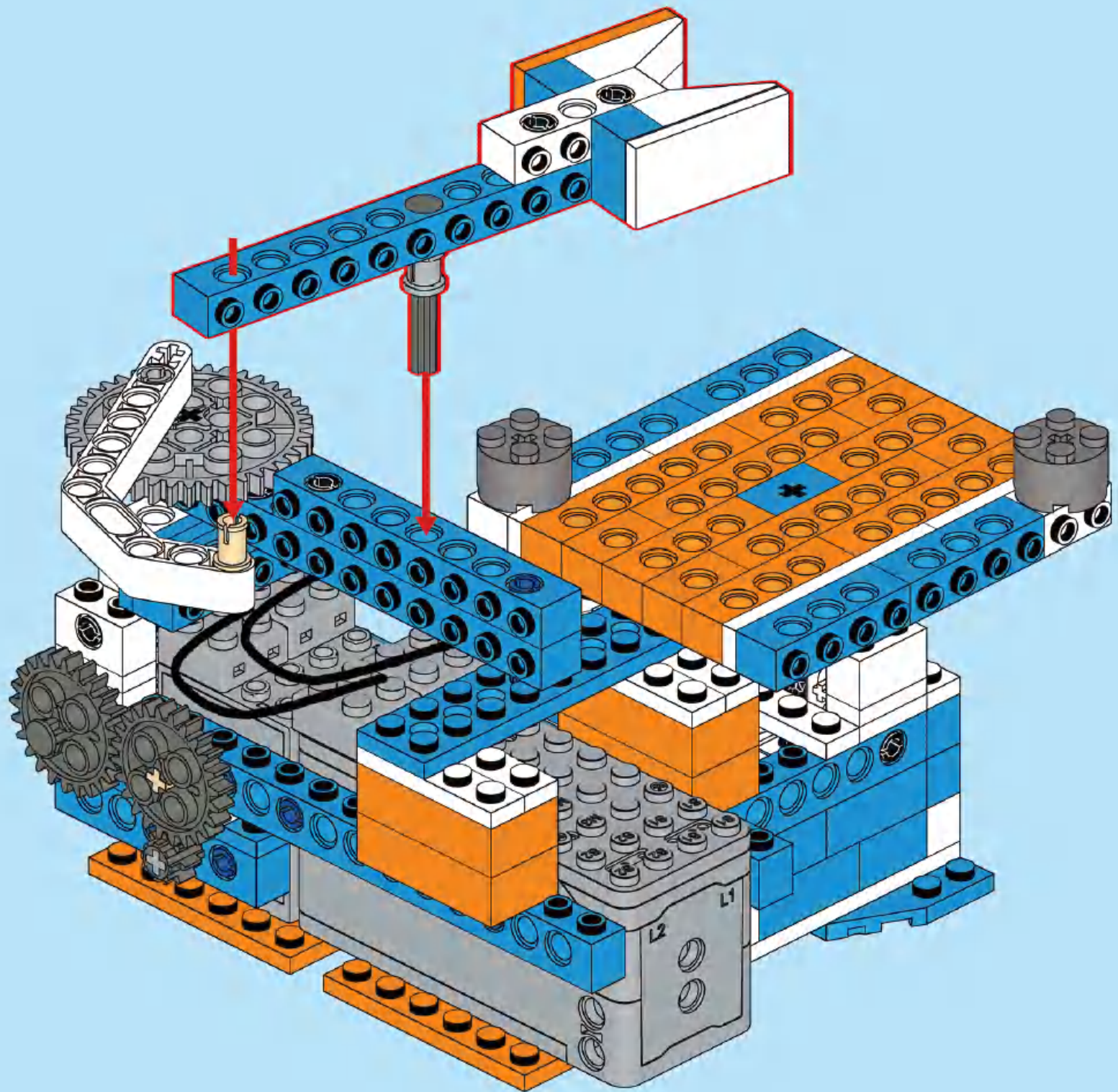
# 49



# 50



# 51



# 52

